

# INSTALLATION INSTRUCTIONS

## ALUMINUM BED TOPPER



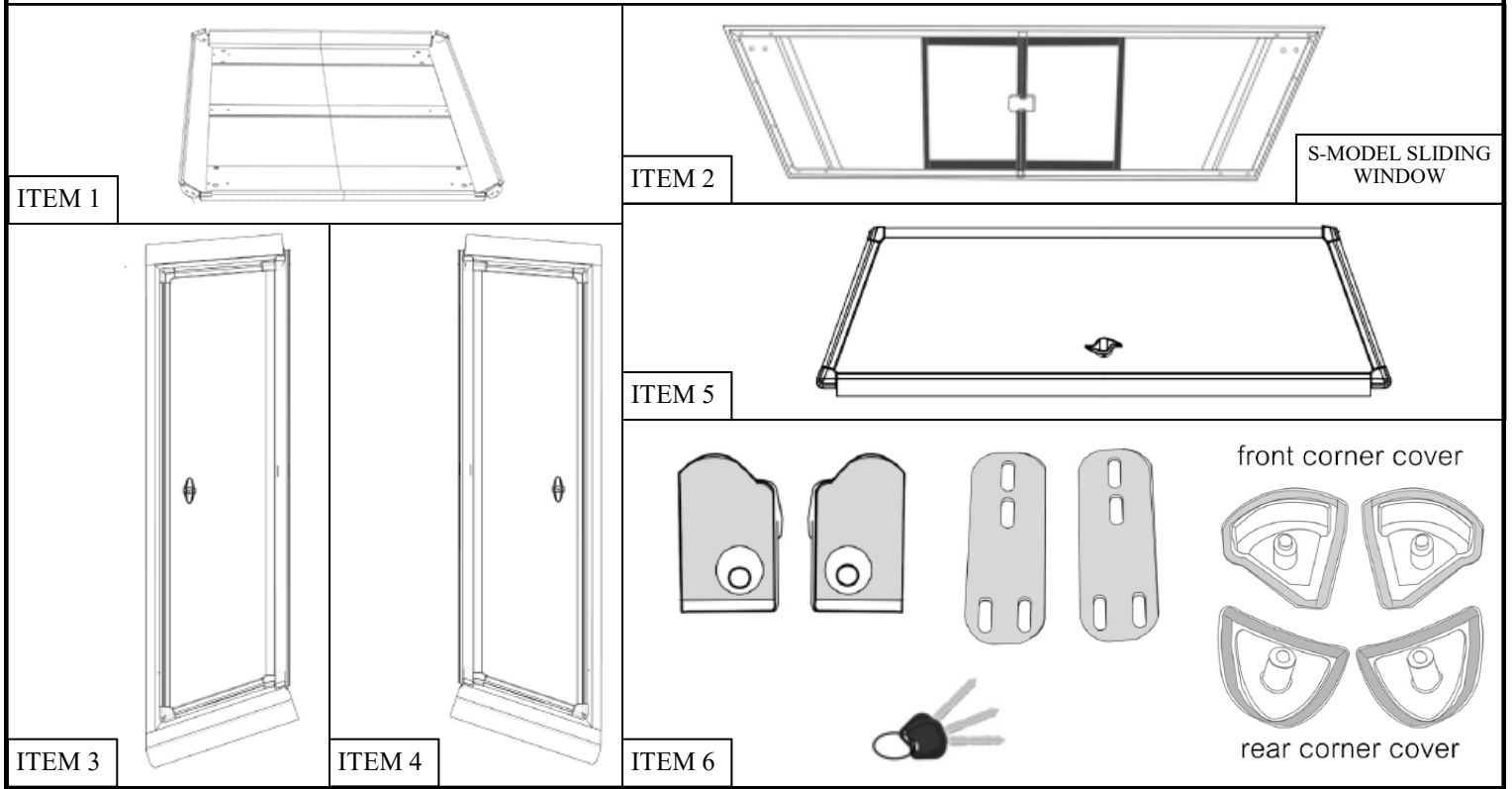
### APPLICATION:

2019 - 2025 Silverado/Sierra Crew Cab 1500 5.8' bed

PART NUMBER: 16-13955S 16-14955S 16-14950S  
16-13955

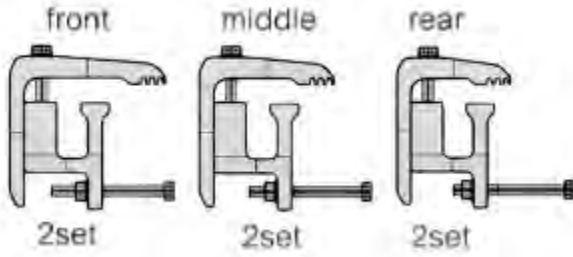
CONTENT			
ITEM	QUANTITY	DESCRIPTION	TOOLS NEEDED
1	1	ROOF PANEL	13mm SOCKET
2	1	FRONT PANEL (SLIDING WINDOW OPTIONAL)	12mm SOCKET
3	1	LEFT SIDE PANEL	10mm SOCKET
4	1	RIGHT SIDE PANEL	RATCHET
5	1	REAR DOOR	TORQUE WRENCH
6	1	PARTS KIT #1	5MM ALLEN KEY
7	1	PARTS KIT #2	PHILLIPS SCREW-DRIVER
8	1	PARTS KIT #3	T-15 TORX BIT
9	1	RUBBER BED STRIP	SILICONE SEALANT
10	1	LOCK/UNLOCK HARNESS	
11	1	INERIOR LIGHT HARNESS	

**ANTI-SEIZE LUBRICANT MUST BE USED ON ALL STAINLESS STEEL FASTENERS TO PREVENT THREAD DAMAGE AND GALLING**

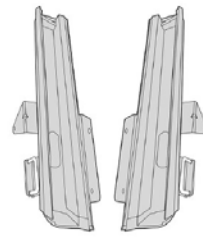


**WESTIN** Westin Automotive Products, Inc.  
320 W. Covina Blvd  
San Dimas, Ca. 91773

Thank you for choosing Westin products  
for additional installation assistance please call  
Customer Service (800) 793-7846  
www.westinautomotive.com



ITEM 7



ITEM 8



ITEM 9



ITEMS 10-11

**PROCEDURE**

1. Remove contents from box, verify if all parts listed are present and free from damage. Carefully read and understand all instructions before attempting installation. **Failure to identify damage before installation could lead to a rejection of any claim.**
2. With the roof panel secured on a flat surface, slide the rear door into the roof panel. (Fig. 1)
3. Next, use a Phillips screwdriver to screw the three (3) #6 x 3/8 pan head tapping screws from **Parts Kit #1 (Item 6)** to secure the rear door panel onto the roof panel. Cross section view A-A shows how the railing system works to attach these components together. (Fig. 2)

FIGURE 1

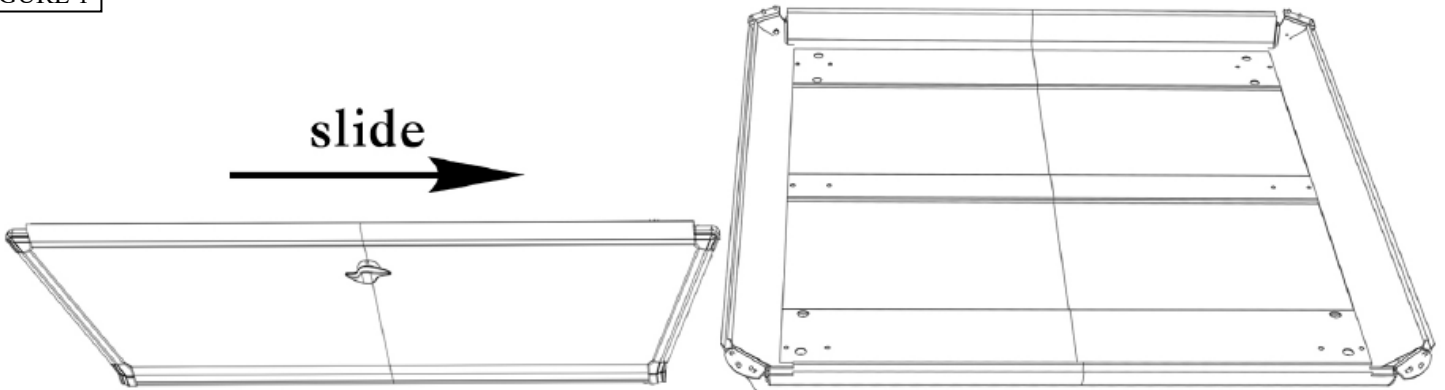
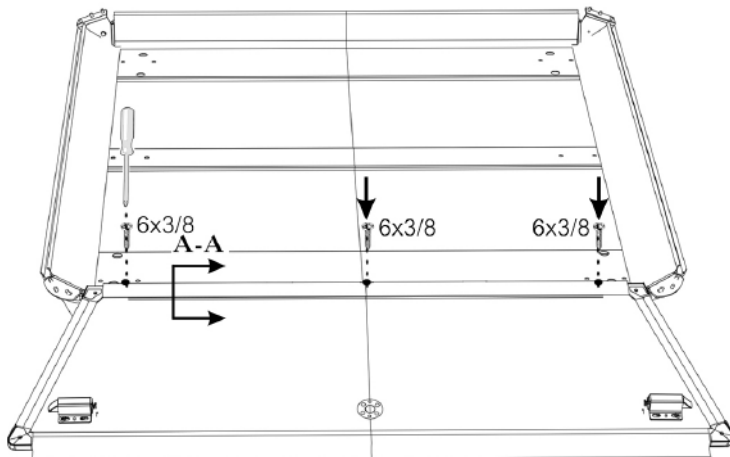
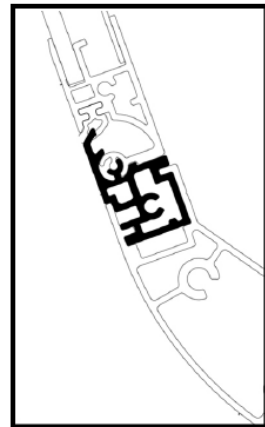


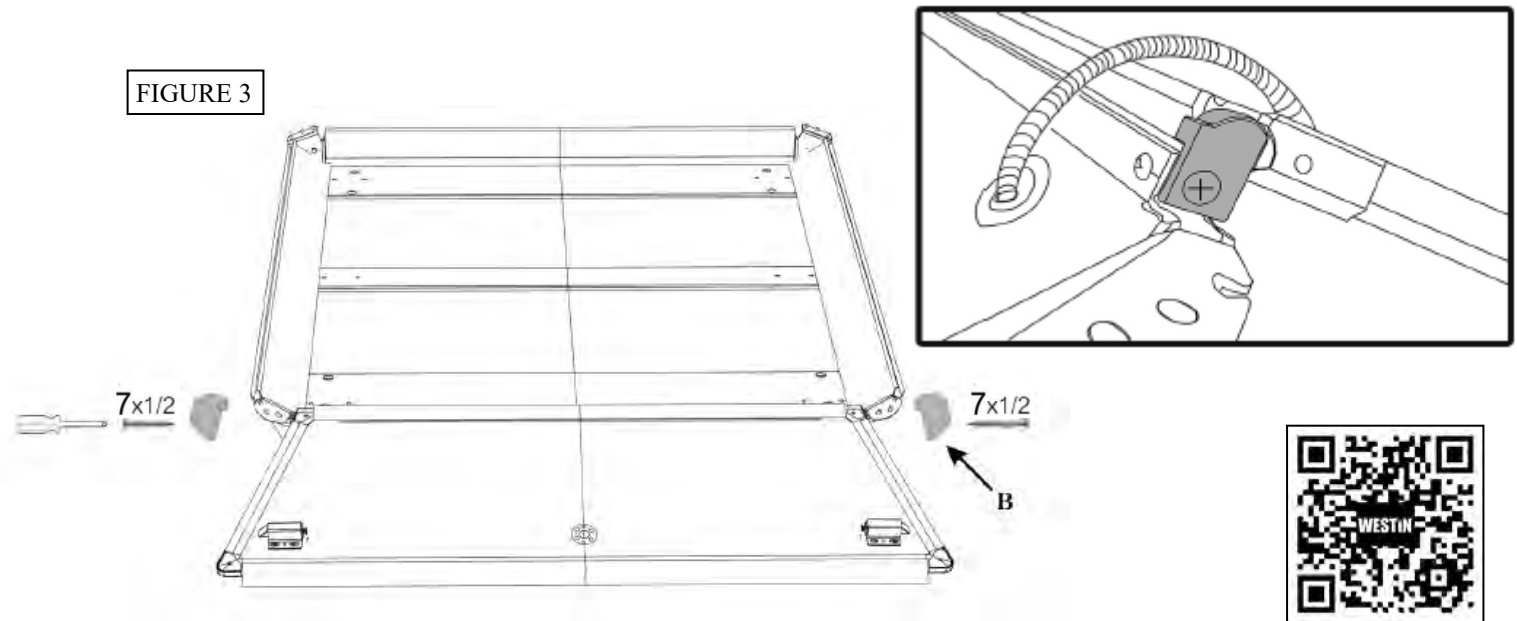
FIGURE 2



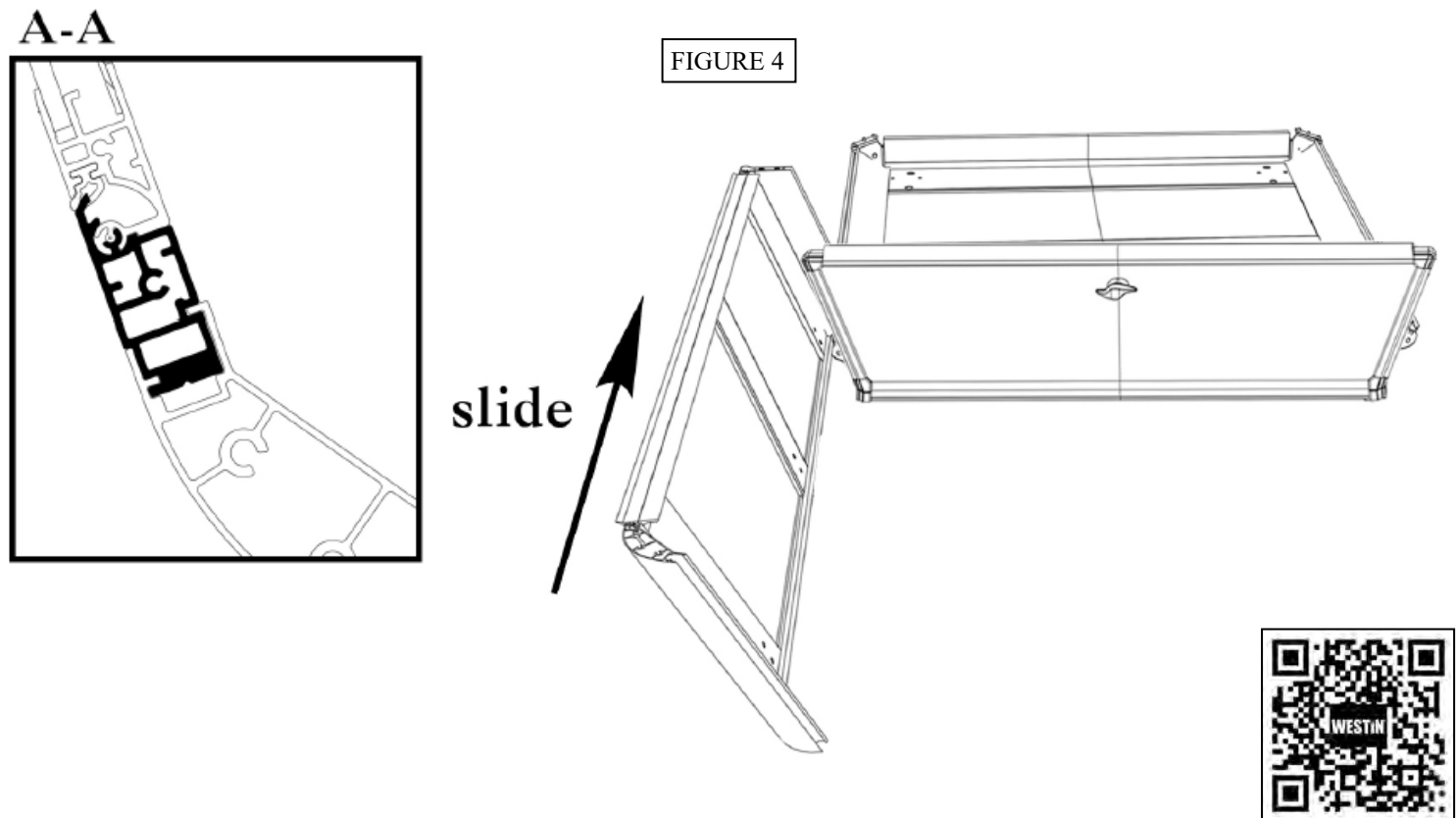
A-A



4. Screw in the rear door side covers using the two (2) #7 x 1/2 flat head tapping screws from **Parts Kit #1 (Item 6)**. The installation should look like the image below. (**Fig. 3**)

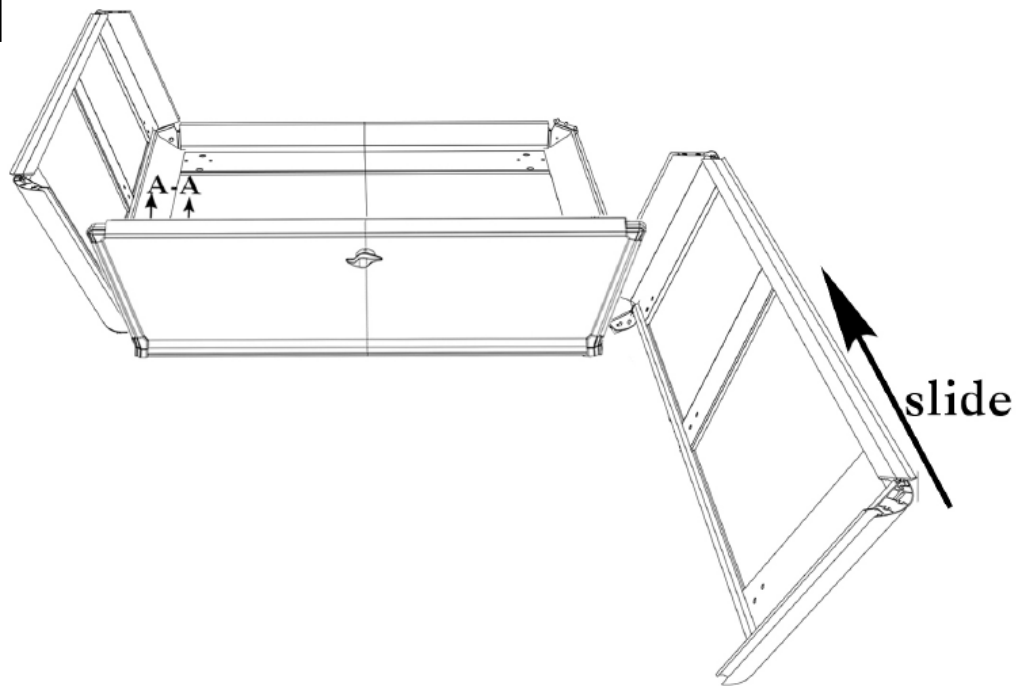


5. While lifting the rear door up, slide the left panel into the railing system. Section view A-A shows how the left panel slides into the roof panel. (**Fig. 4**)



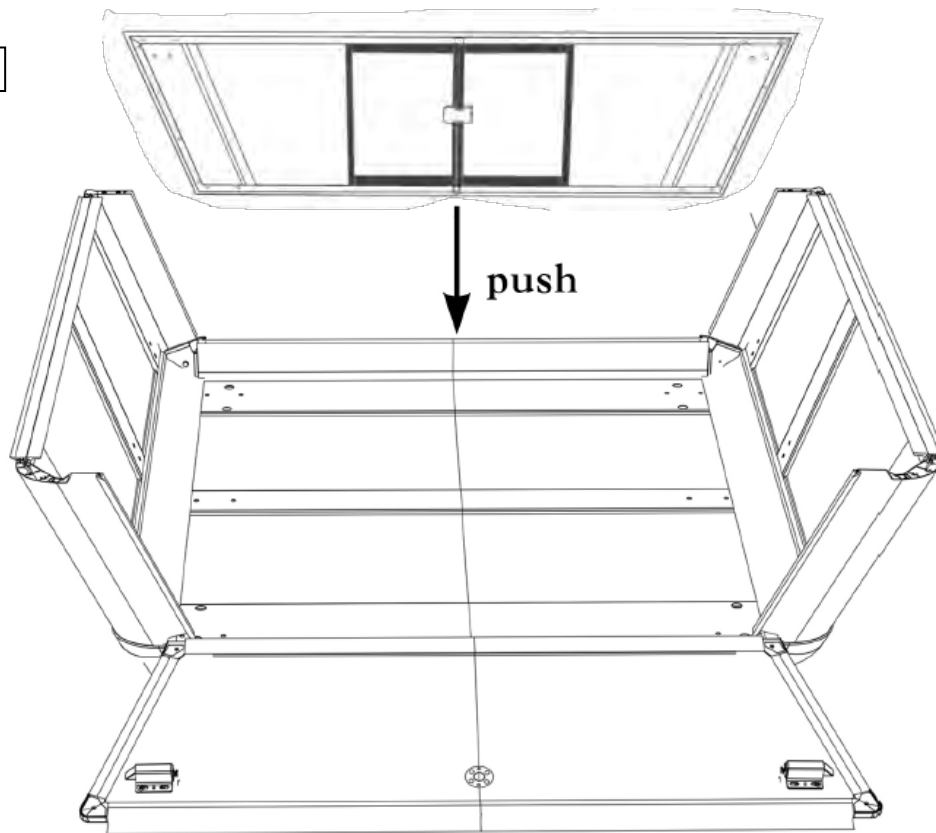
6. Repeat step 5 for the right panel. (Fig. 5)

FIGURE 5



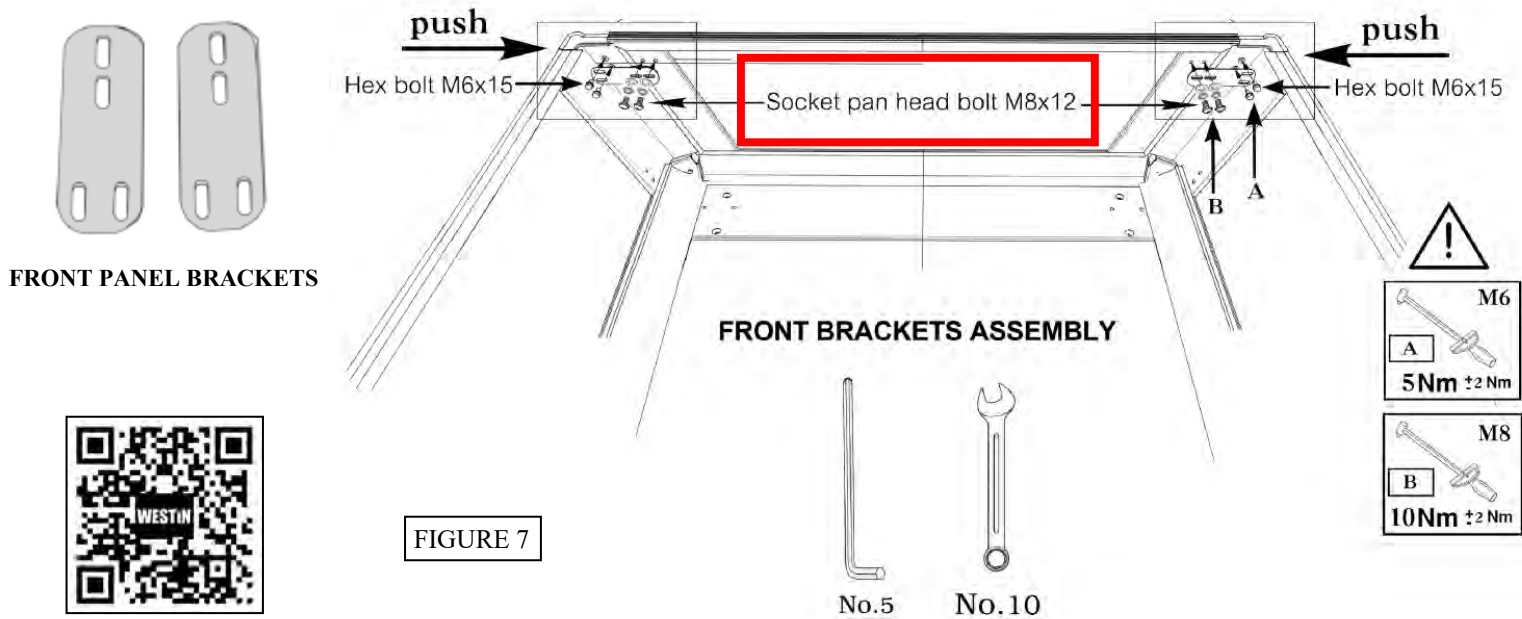
7. Next, push the front panel into the roof panel. (Fig. 6)

FIGURE 6

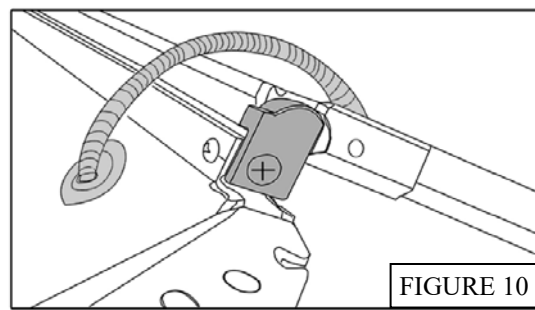
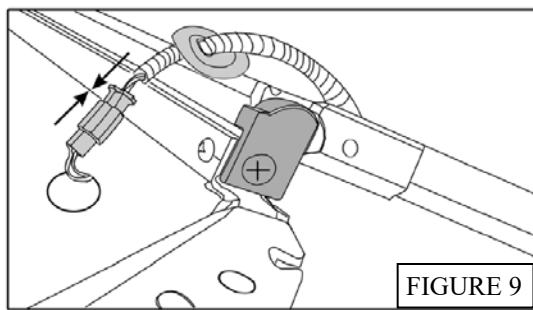
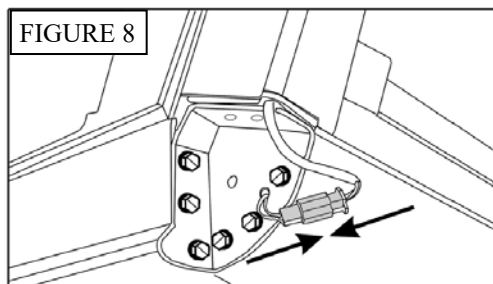


8. Push the left panel inwards towards the front panel. Using a front panel bracket, two (2) M8 x 12 socket pan head bolts, two (2) M8 split washers, two (2) M8 flat washers, two (2) M6 x 15 hex bolts, two (2) M6 split washers, and two (2) M6 flat washers provided in **Parts Kit #1 (Item 6)**, fasten the left panel to the front panel. Use a 5mm Allen Key and 10mm socket to initially tighten the bolts, then use a torque wrench to torque the M8 bolts to **10Nm (8ft-lbs)** and the M6 bolts to **5Nm (4 ft-lbs)**. Repeat this process to fasten the right panel to the front panel. (Fig. 7)

**CAUTION: MAKE SURE TO USE THE M8 X 12 SOCKET PAN HEAD BOLTS FOR THE MOUNTING HOLES ON THE FRONT GLASS, THEY REQUIRE A 5MM ALLEN KEY TO FASTEN. DO NOT USE THE M8 X 20 HEX BOLTS AS THIS MAY DAMAGE THE FRONT GLASS PANEL.**

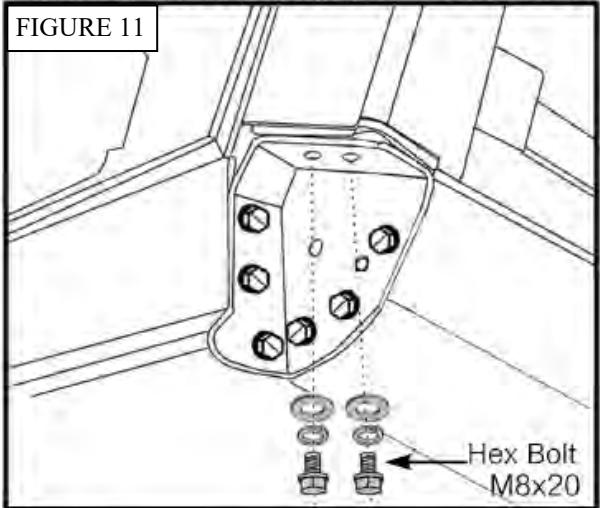


9. Connect the front wire found at the corner of the roof panel and front panel (Fig. 8). Then connect the rear wire (Fig. 9) and tuck the connectors into the roof panel. (Fig. 10)



10. Next, use two (2) M8 x 20 Grade 8.8 hex bolts, two (2) M8 split washers, and two (2) M8 flat washers to fasten the front panel to the roof panel at one corner. Use a 13mm socket to initially tighten the bolts, then torque the bolts to **25Nm (19ft-lbs)**. Repeat this process for the other corner where the roof panel and front panel meet. (Fig. 11)

FIGURE 11



11. Repeat Step 10 for both corners where the roof panel and rear door meet. Use the same kind of hardware as in the previous step (Fig. 12). Connect the roof panel wire to the rear door connector as shown below. (Fig. 13)

FIGURE 12

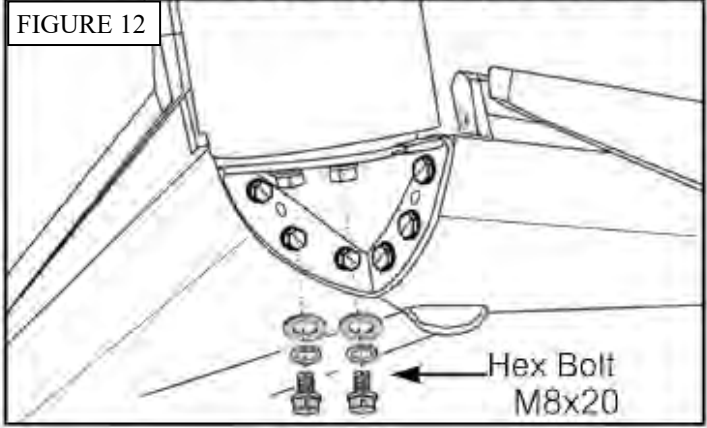
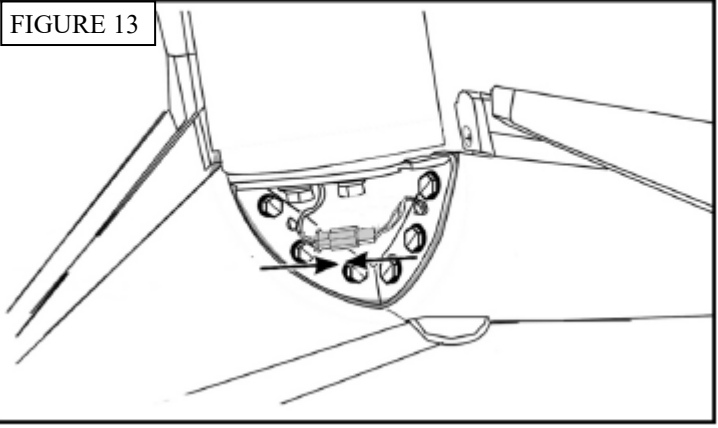
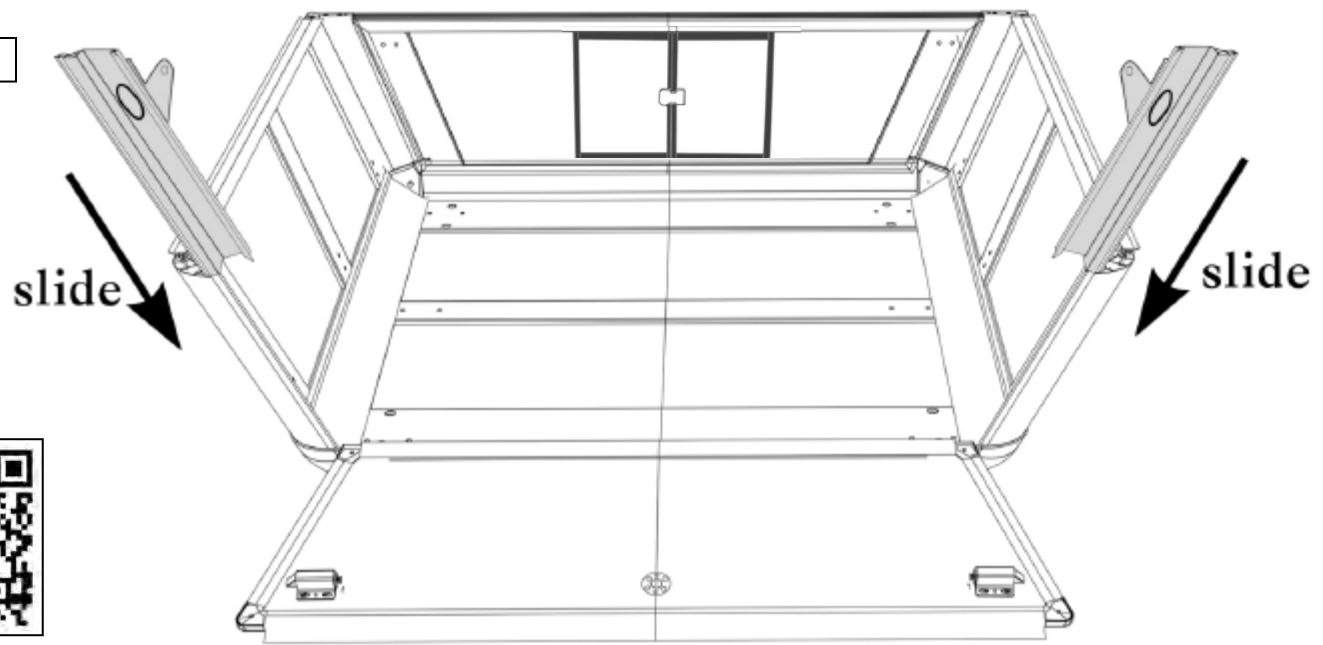


FIGURE 13



12. Slide the water channels downwards on the left and rear panels toward the rear door (Fig. 14). The water channels are found in **Parts Kit #3 (Item 8)**.

FIGURE 14



13. An inside corner of the rear door and side panel is shown below. Using the contents of **Parts Kit #3 (Item 8)** and a 12mm socket, fasten two (2) M8 x 20 hex bolts through the water channel bracket and into the side panel, torque to **10Nm (8ft-lbs)**. (Fig. 15) Next, use two (2) #6 x 3/8 pan head tapping screws and fasten the water channels to the side panels. (Fig. 16) Repeat this step for the other side of the topper.

FIGURE 15

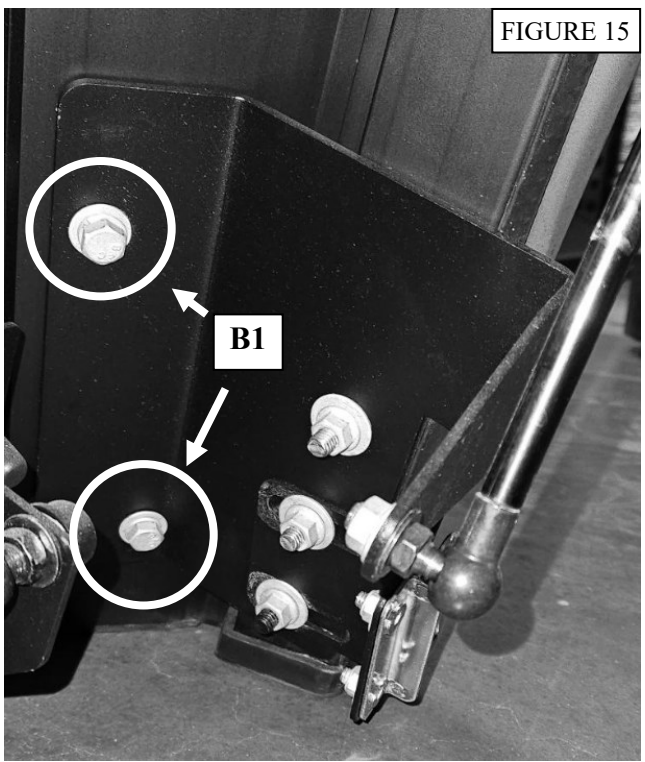


FIGURE 16

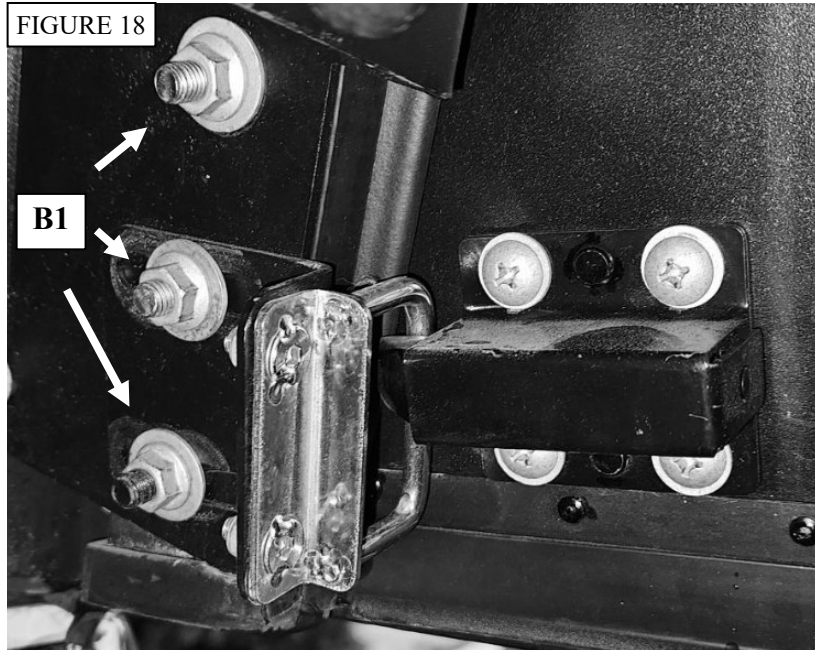
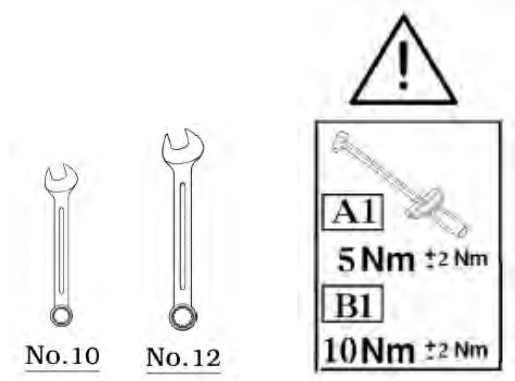
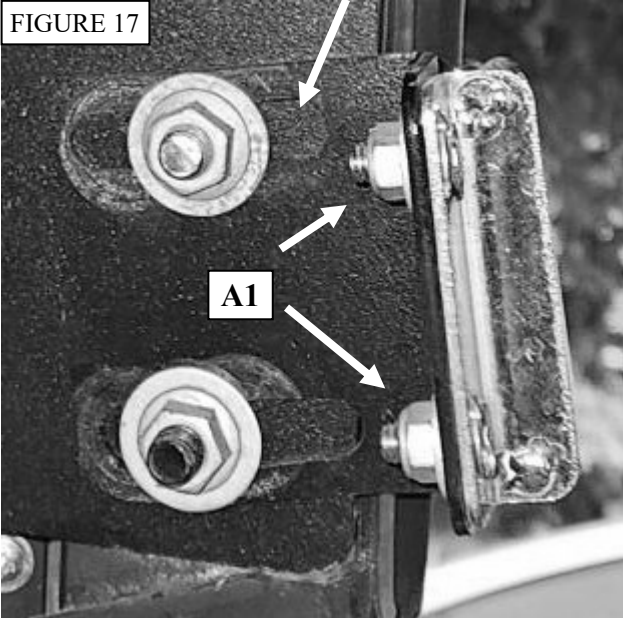


A1	
5 Nm ±2 Nm	
B1	
10 Nm ±2 Nm	

No. 12

14. Torque the nuts on the door latch to **5Nm (4ft-lbs)** using a 10mm socket. There are slots on the door latch bracket that allow for the latch to be adjusted so the rear door can close correctly. (**Fig 17**) Once the rear door is shut and the door latch is adjusted properly, torque the bolts in **Fig. 18** to **10Nm (8ft-lbs)**.

**SLOTS FOR ADJUSTABILITY**



15. Next, clean the surface of the perimeter of the corner where the roof panel and left panel meet. Locate the silicone corner covers in **Parts Kit #1 (Item 6)** and remove the tape over the adhesive on the covers. While tucking the wires inwards into the roof panel, firmly press the cover over the corner (**Fig. 19**). Fasten the corner cover to the topper assembly using one (1) M6 x 10 pan head bolt and one (1) M6 flat washer also found in the same parts kit. The hardware fastens from the inside of the topper assembly. Repeat this step for installing the corner cover on the other side where the right panel meets the roof panel. (**Fig. 20**)

FIGURE 19

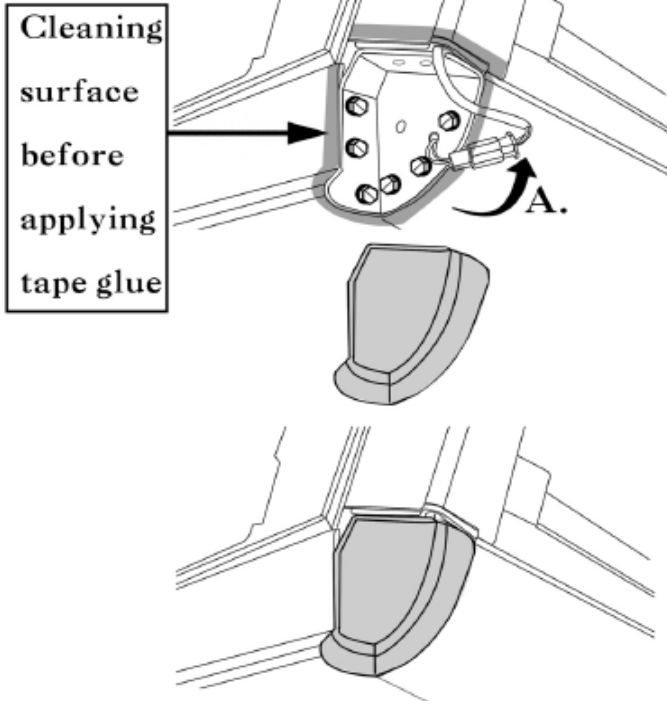
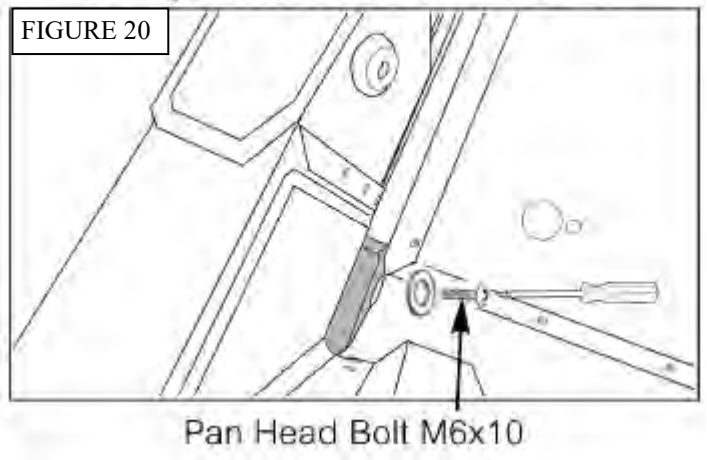
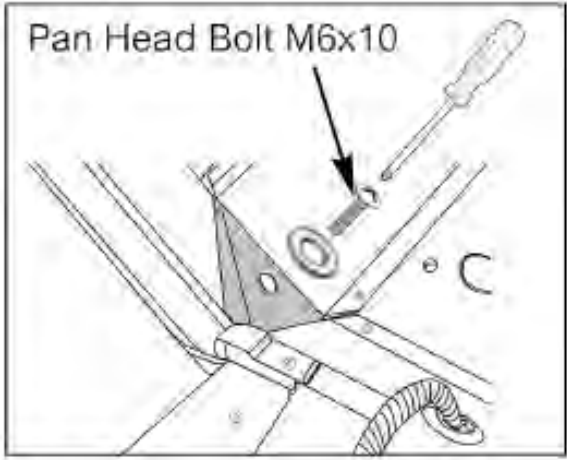
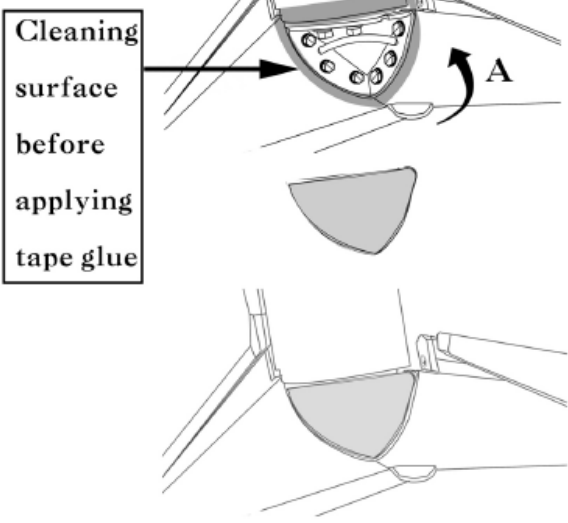


FIGURE 20

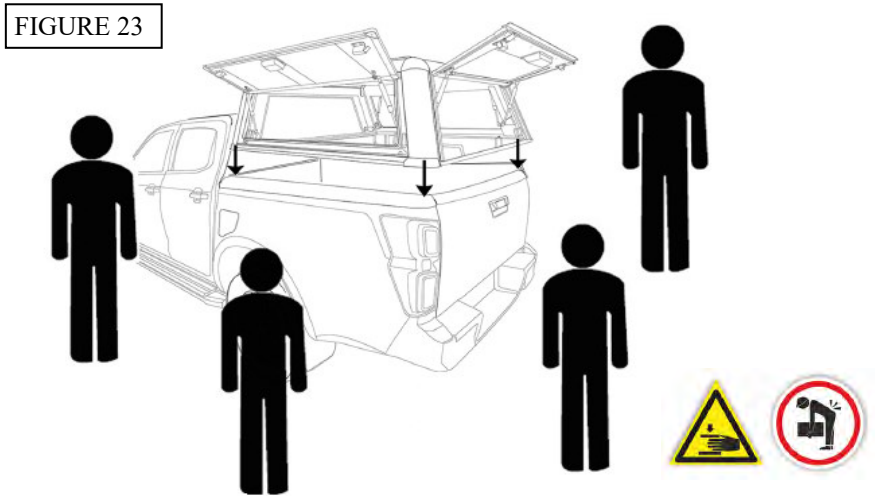
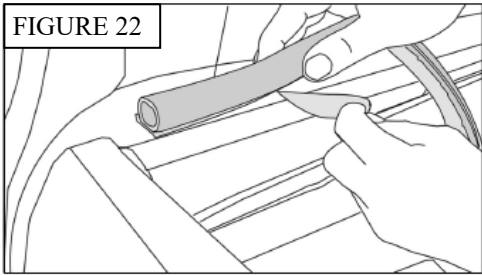


16. Repeat the process in Step 14 to install the corner covers on the rear corners of the topper assembly. (**Fig. 21**)

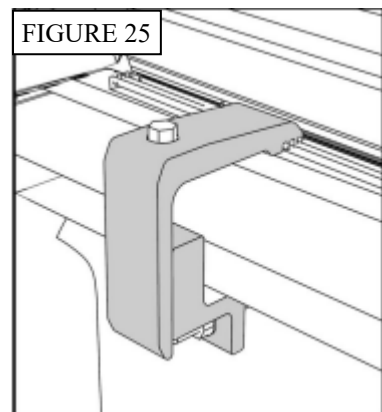
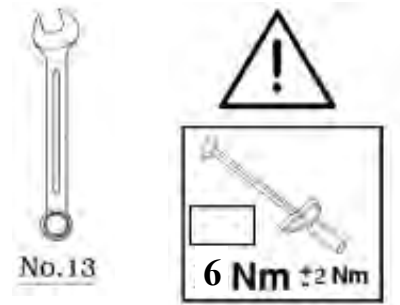
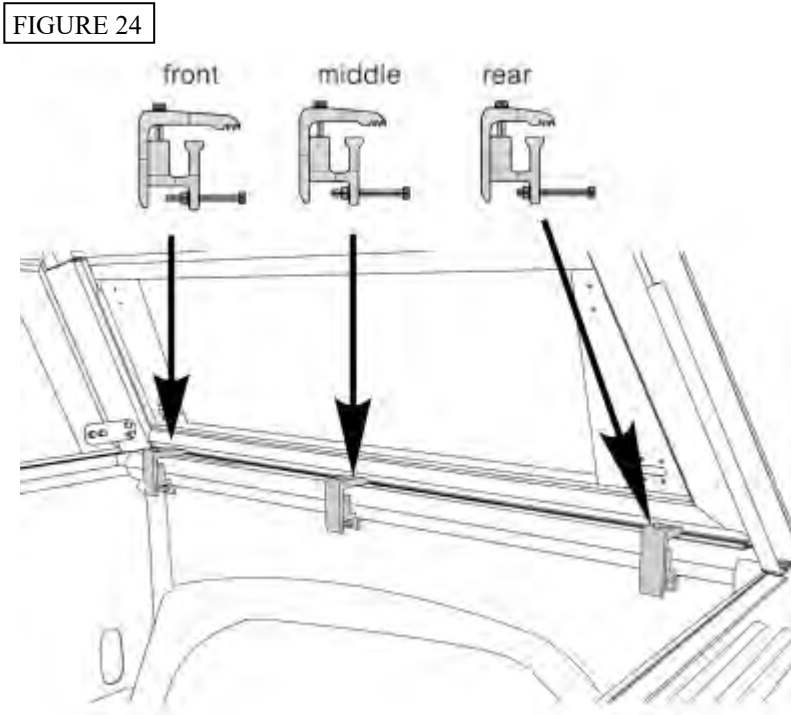
FIGURE 21



17. Remove the adhesive on the included rubber strip (**Item 9**) and install it onto the front edge of the bed. (**Fig. 22**) Open the left, right, and rear panels before placing the topper onto the truck bed. A minimum of four people are recommended for the topper installation. Make sure to avoid dragging the topper across the truck bed rails. Handle with caution to avoid injury to hands and damage to the topper assembly and vehicle. (**Fig. 23**)



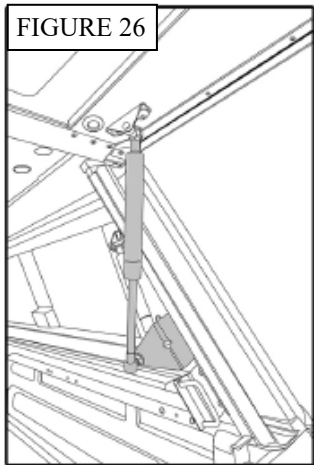
18. Locate the contents found in **Parts Kit #2 (Item 7)** and correctly place each labeled clamp on both bed rails (**Fig. 24**). Use a 13mm socket to initially tighten the clamps, then torque to **6Nm (4.4ft-lbs)**. The tightened clamp should resemble (**Fig. 25**).



19. Once the bed topper is placed on the vehicle, adjustment may be required to allow for the topper to sit well onto the bed rails. If adjustment is needed, loosen the front bracket and push the sides doors inward towards each other and make sure the gap (circled in Fig. 26) is closed. Tighten the front bracket as mentioned in Step 8.

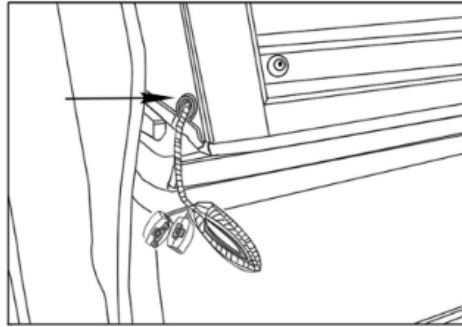
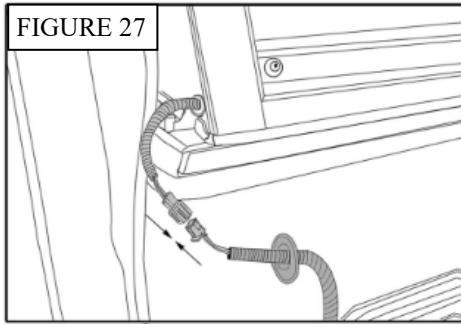


20. Use the nuts already installed on the end of the gas studs to secure the studs to the rear door using a 12mm socket. (Fig. 26)



## Topper Lock/Unlock Wiring Instructions

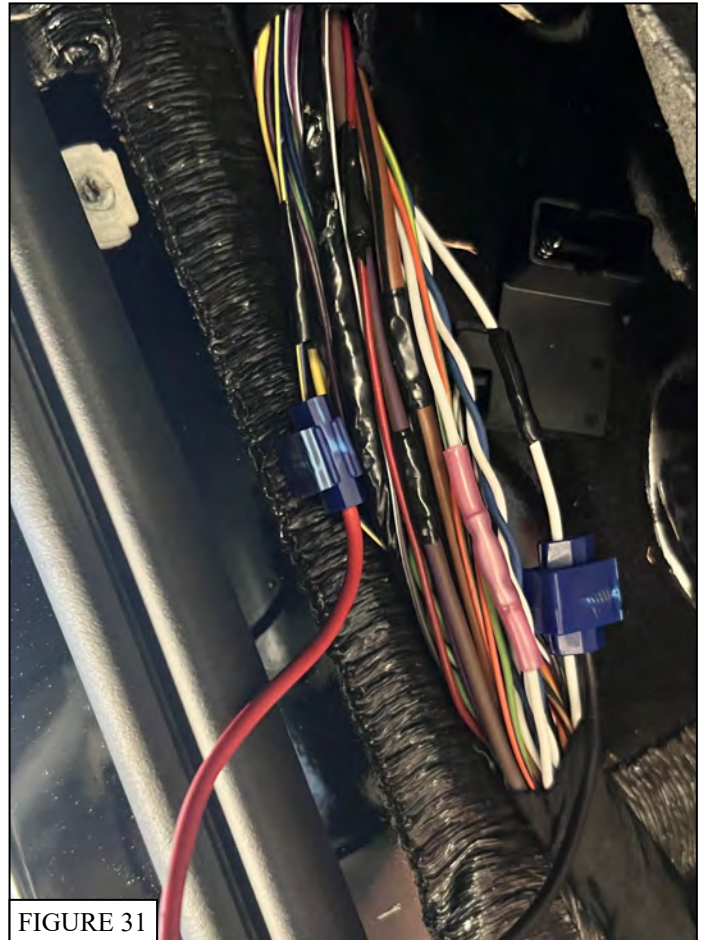
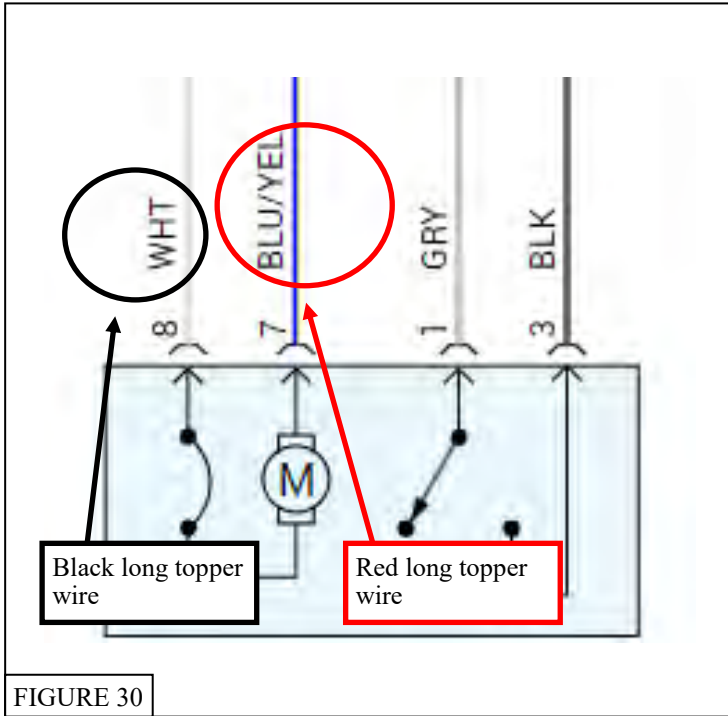
21. Use the provided wiring harness from **Parts Kit #3 (Item 10)** to connect the harness to the wire at the front of topper and tuck the connector into the topper using the provided rubber grommet. (**Fig. 27**)
22. To enable the topper's lock/unlock feature, disconnect the vehicle's battery and remove the door sill panel from the driver's side of the vehicle.
23. Next, lift the drive side floorboard carpet and make a hole through the grommet so the topper wiring harness can be passed through it into the vehicle. (**Fig. 28**) Use silicon sealant to ensure the grommet is sealed which will make the floorboard waterproof.
24. Open the plastic retainer that sits behind the driver door sill panel and locate the vehicle's wires in this area (**Fig. 29**)



24. To find the specific vehicle wires to tap into, locate the blue/yellow and white wires. Splice the topper's black wire into the vehicle's white wire and splice the topper's red wire into the vehicle's blue/yellow. (**Fig. 30-31**). Reconnect the vehicle's battery and test that the topper locks and unlocks with the vehicle's doors. Do not fully tighten the battery's connectors.
25. Finally, put the black plastic retainer back on and reinstall the scuff panel.

**Note:** If the topper does not lock and unlock with the vehicle's doors, splice the topper's black wire into the other vehicle white wire instead. This wire is the only other single white wire in this area. (**Fig. 31**)

**Note:** A key set is included in the topper packaging.



## Topper Brake Light Wiring Instructions

26. Remove the passenger tail light by unscrewing the two screws seen below using a T-15 Torx Bit. (Fig. 32)
27. Slowly pull the light towards the rear of the vehicle in order to release it from the clips.
28. To find the specific vehicle wires to tap into, locate the black and green wires coming from the light's upper socket. Splice the topper's yellow wire into the socket's black wire and splice the topper's red wire into the socket's green. (Fig. 33)
29. Reconnect the vehicle's battery and test that the topper's brake light turns on with the vehicle's brake lights.
30. Finally, put the tail light back in.

**Note:** Due to the tail light wiring configuration, the topper's brake light will blink with the right turn signal.

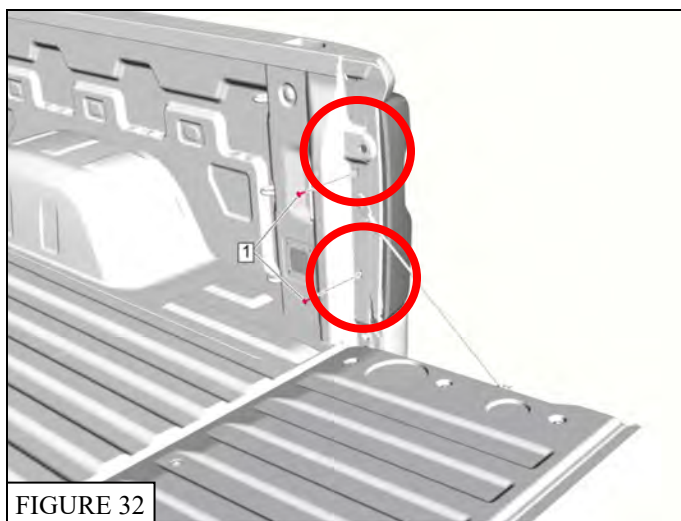


FIGURE 32

Red Wire from short  
Topper Harness

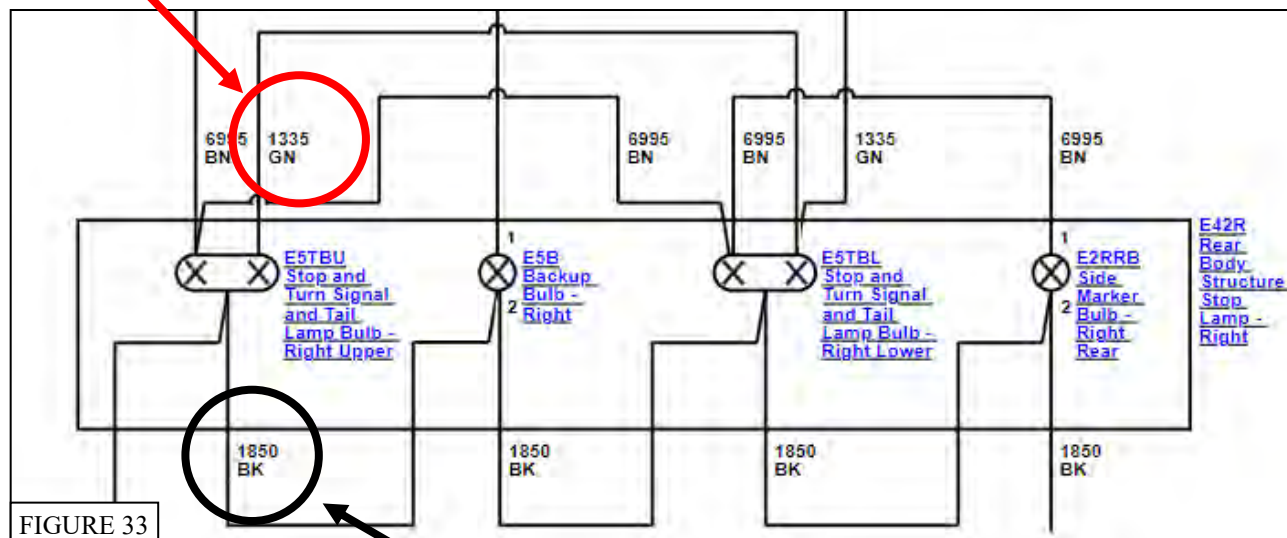


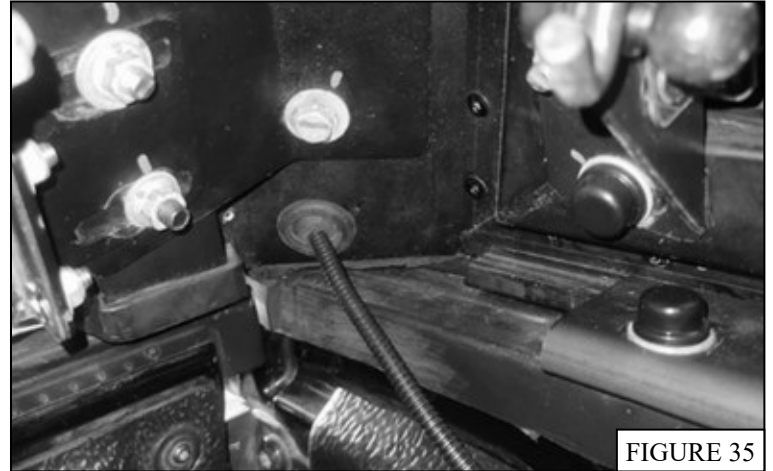
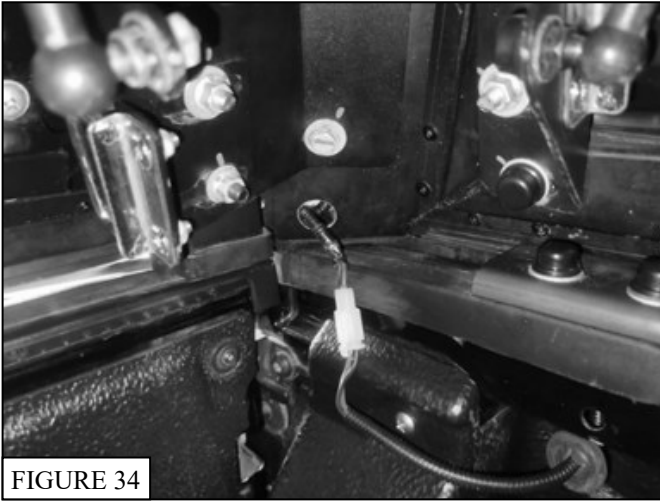
FIGURE 33

Yellow Wire from  
short Topper Harness

## LED INTERIOR LIGHT

31. Plug the provided Interior Light Harness (**Item 11**) at the connector coming from the rear driver side of the topper (**Fig 34**). Tuck the harness into the topper using the rubber grommet (**Fig 35**). The other end of the harness will need to go to the vehicle's battery. Route the harness underneath the vehicle, make sure to avoid any moving parts.

The installation of your Westin Automotive Truck Cap is complete!





## WARNING



Failure to follow these instructions could lead to death, personal injury, and / or property damage.

Failure to follow these instructions could lead to death, personal injury, and / or property damage.

### FASTENERS:

All Westin supplied fasteners must be utilized and installed in accordance with the installation instructions and apply torque to the specifications as defined. **DOUBLE CHECK ALL FASTENERS BEFORE INITIAL USE, AND PERIODICALLY IN THE FUTURE TO ENSURE PROPER FUNCTION AND SAFETY.**

### DRILLING:

Most Westin products do not require drilling for installation. If drilling is defined as required, use caution when drilling a vehicle. **FAILURE TO REVIEW AN AREA TO BE DRILLED MAY RESULT IN PERSONAL INJURY AND/OR INJURY TO OTHERS AS WELL AS VEHICLE DAMAGE.**

### EYE PROTECTION:

**ALWAYS WEAR SAFETY GLASSES OR GOGGLES DURING THE INSTALLATION PROCESS TO AVOID PERSONAL INJURY.**

### MAXIMUM TOWING/CARRYING CAPACITY: (if applicable)

The Westin Receiver Hitches will have a visible tow rating label affixed directly on the product. User should never exceed the vehicle manufacturers maximum tow and weight rating regardless of the capacity of the hitch. **FAILURE TO FOLLOW THESE GUIDELINES WILL VOID THE WESTIN WARRANTY AND MAY RESULT IN PERSONAL INJURY AND/OR INJURY TO OTHERS AS WELL AS VEHICLE DAMAGE.**

### FOR CALIFORNIA RESIDENTS ONLY-PROP 65 WARNING:

Some products may contain chemicals such as DEHP, which can cause cancer, birth defects or other reproductive harm. For more info go to [www.p65warnings.ca.gov](http://www.p65warnings.ca.gov)



Westin Automotive Products, Inc.  
320 W. Covina Blvd  
San Dimas, Ca. 91773