

INSTALLATION INSTRUCTIONS

EXP TRUCK CAP W/SLIDING FRONT WINDOW

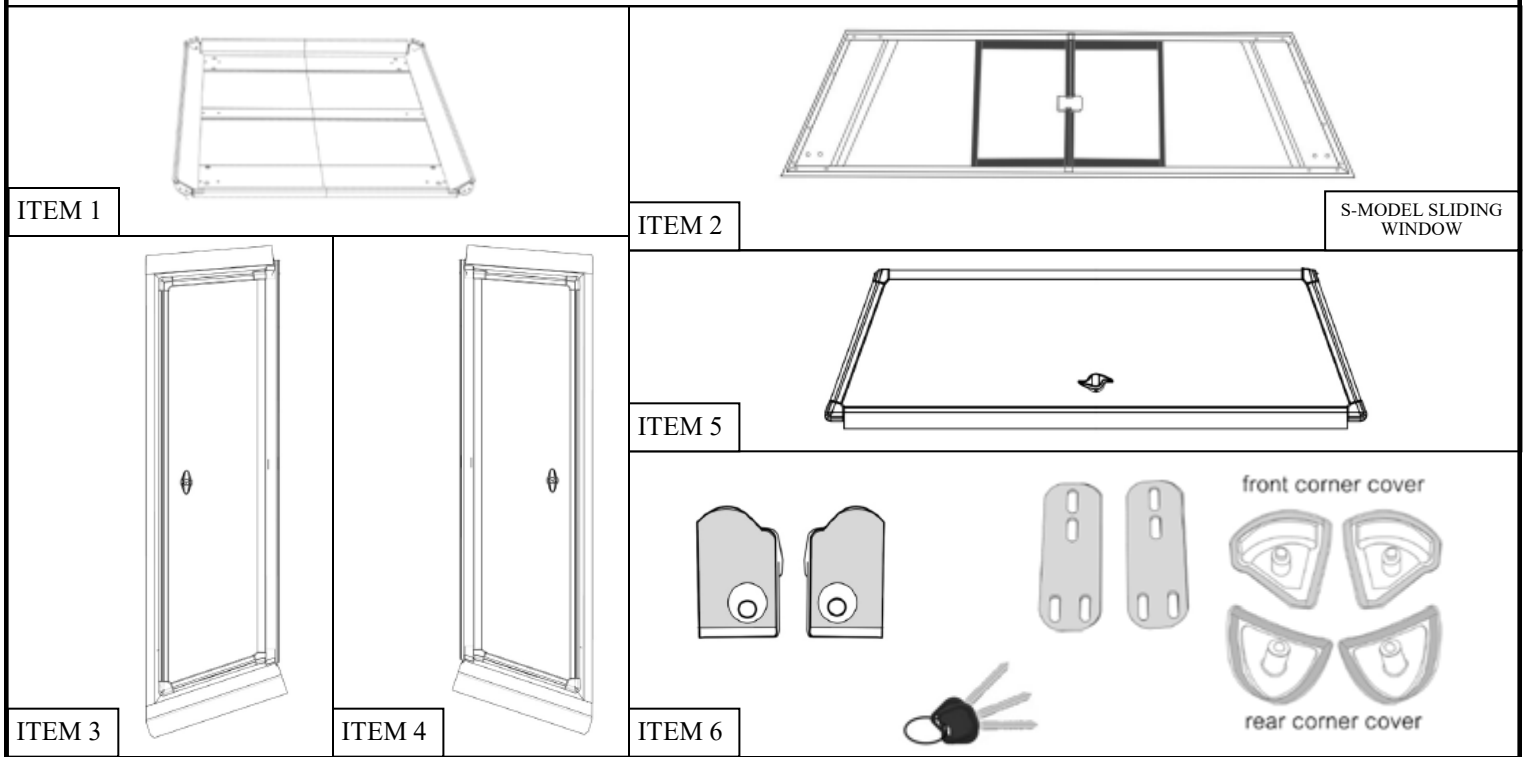
APPLICATION:
2023-2025 F-250/350 CREW CAB 6.8' BED



PART NUMBER:
16-14685S

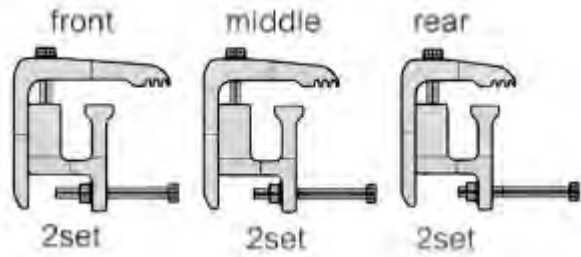
CONTENT			
ITEM	QUANTITY	DESCRIPTION	TOOLS NEEDED
1	1	ROOF PANEL	13MM SOCKET
2	1	FRONT PANEL (WITH SLIDING WINDOW)	12MM SOCKET
3	1	LEFT SIDE PANEL	10MM SOCKET
4	1	RIGHT SIDE PANEL	8MM SOCKET
5	1	REAR DOOR	RATCHET
6	1	PARTS KIT #1	TORQUE WRENCH
7	1	PARTS KIT #2	5MM ALLEN KEY
8	1	PARTS KIT #3	SILICONE SEALANT
9	1	RUBBER BED STRIP	3/16" DRILL BIT
10	1	LOCK/UNLOCK HARNESS	DRILL
11	1	INTERIOR LIGHT HARNESS	
12	1	INTERIOR CROSS BRACE KIT	

ANTI-SEIZE LUBRICANT MUST BE USED ON ALL STAINLESS STEEL FASTENERS TO PREVENT THREAD DAMAGE AND GALLING

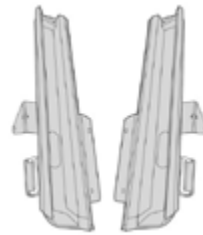


WESTIN Westin Automotive Products, Inc.
320 W. Covina Blvd
San Dimas, Ca. 91773

Thank you for choosing Westin products
for additional installation assistance please call
Customer Service (800) 793-7846
www.westinautomotive.com



ITEM 7



ITEM 8

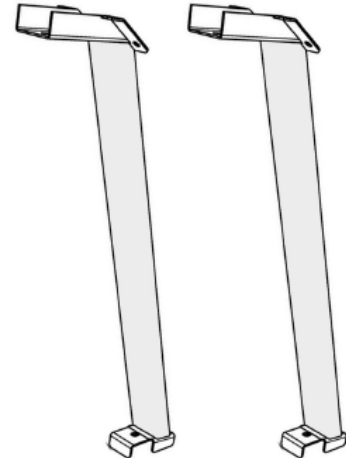
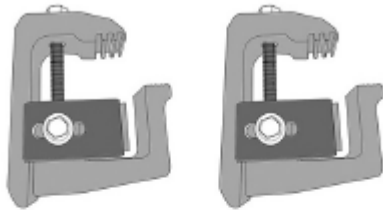


ITEM 9



interior lights wire

ITEMS 10-11



ITEM 12

PROCEDURE

1. Remove contents from box, verify if all parts listed are present and free from damage.
Carefully read and understand all instructions before attempting installation.
Failure to identify damage before installation could lead to a rejection of any claim.
2. With the roof panel secured on a flat surface, slide the rear door into the roof panel. (**Fig. 1**)
3. Next, use a Phillips screwdriver to screw the three (3) #6 x 3/8 pan head tapping screws from **Parts Kit #1 (Item 6)** to secure the rear door panel onto the roof panel. Cross section view A-A shows how the railing system works to attach these components together. (**Fig. 2**)

FIGURE 1

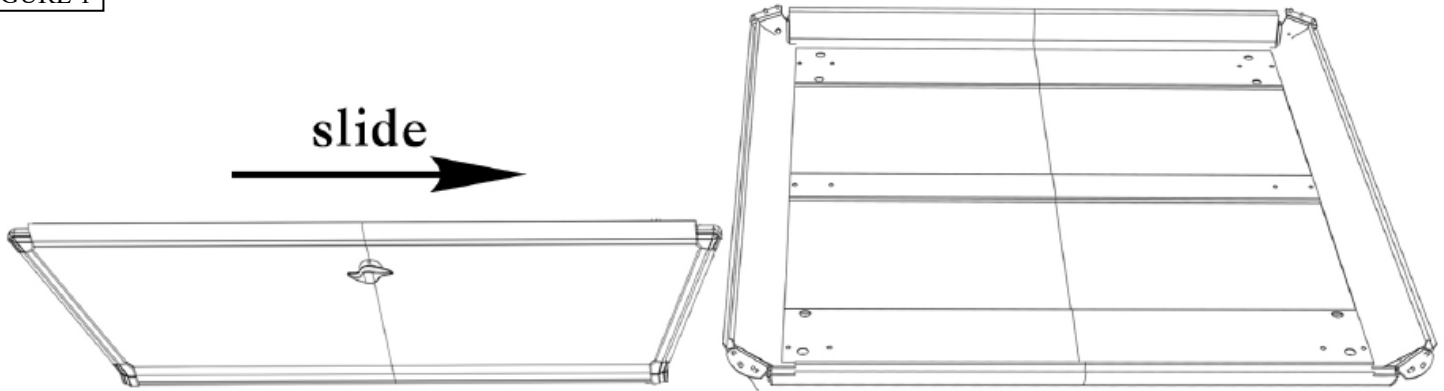
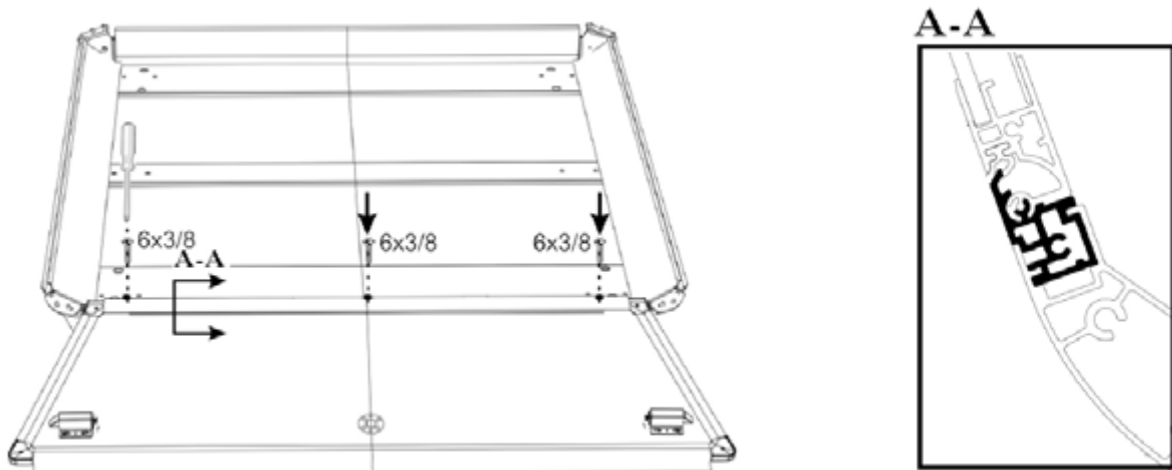
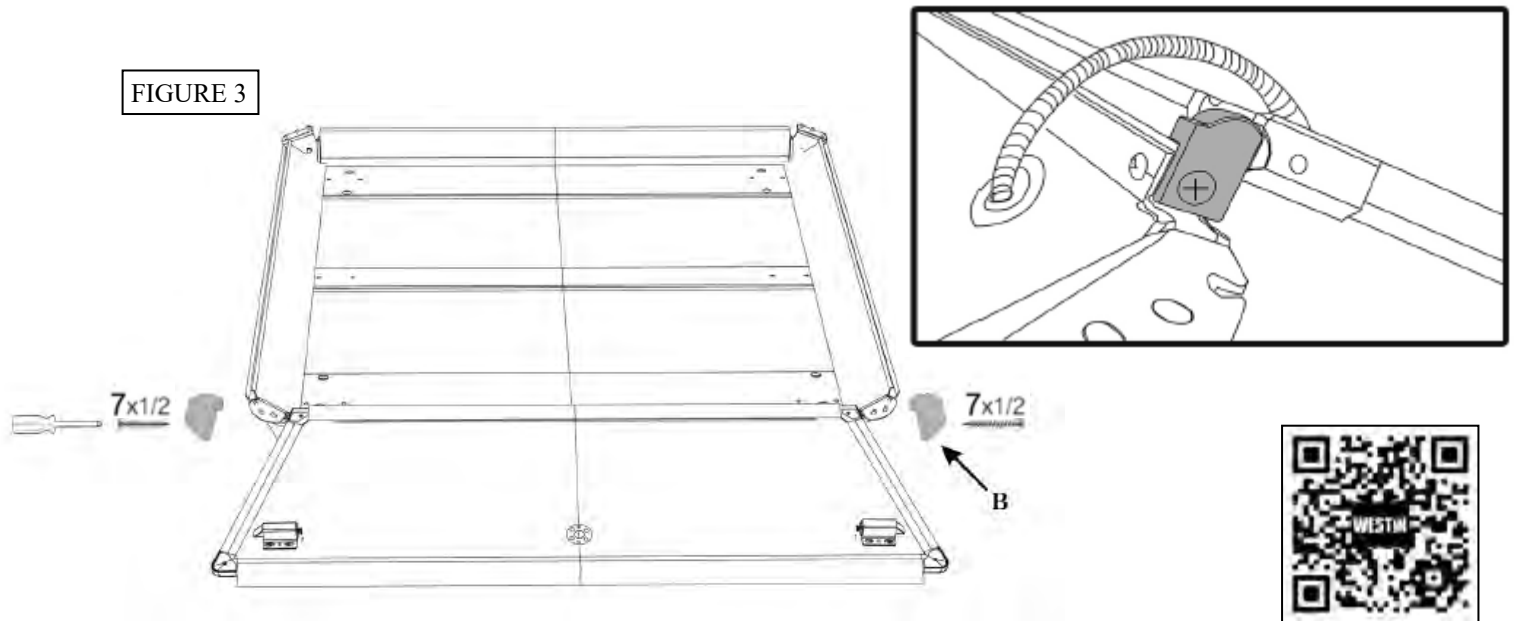


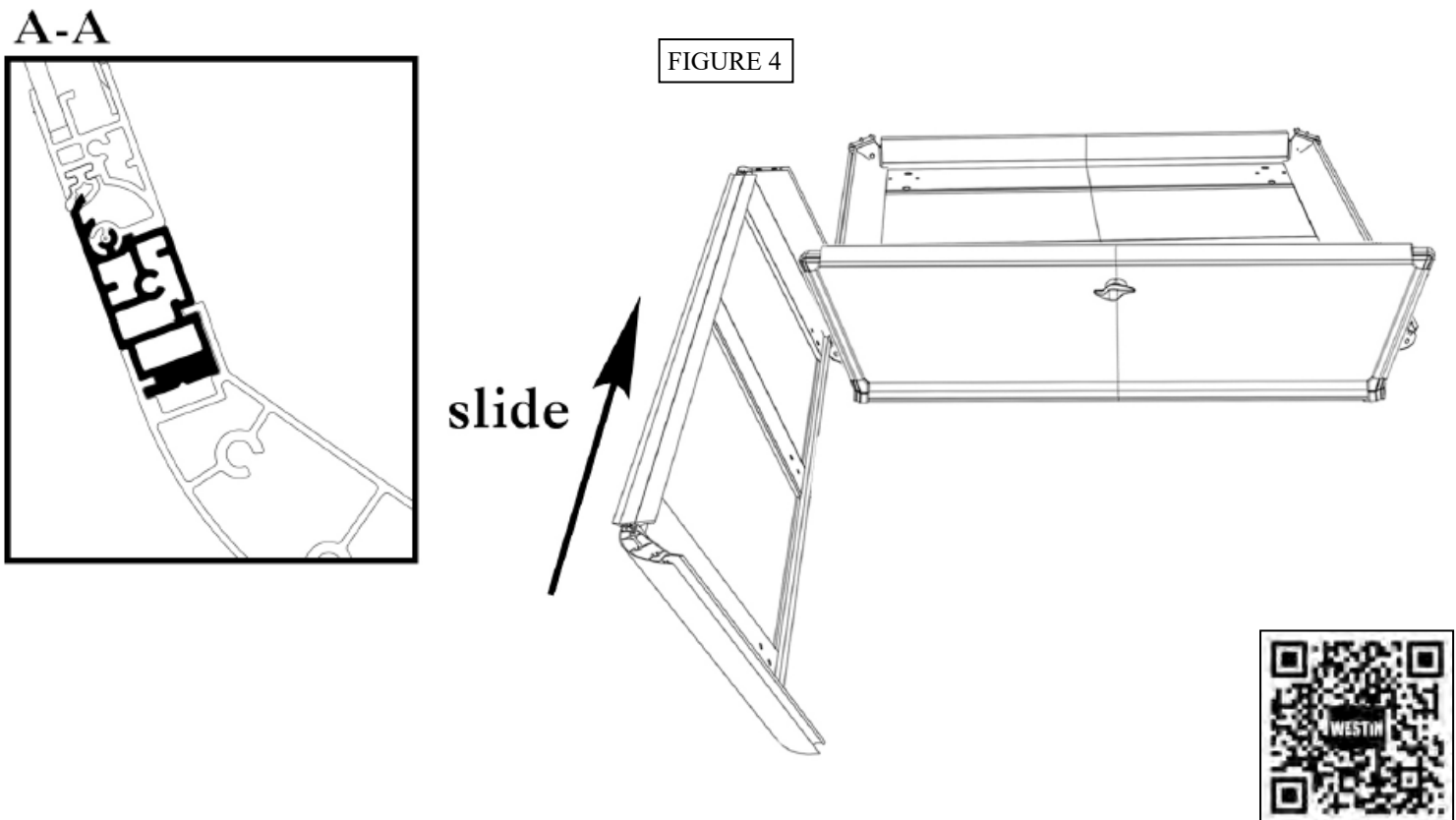
FIGURE 2



4. Screw in the rear door side covers using the two (2) #7 x 1/2 flat head tapping screws from **Parts Kit #1 (Item 6)**. The installation should look like the image below. (**Fig. 3**)

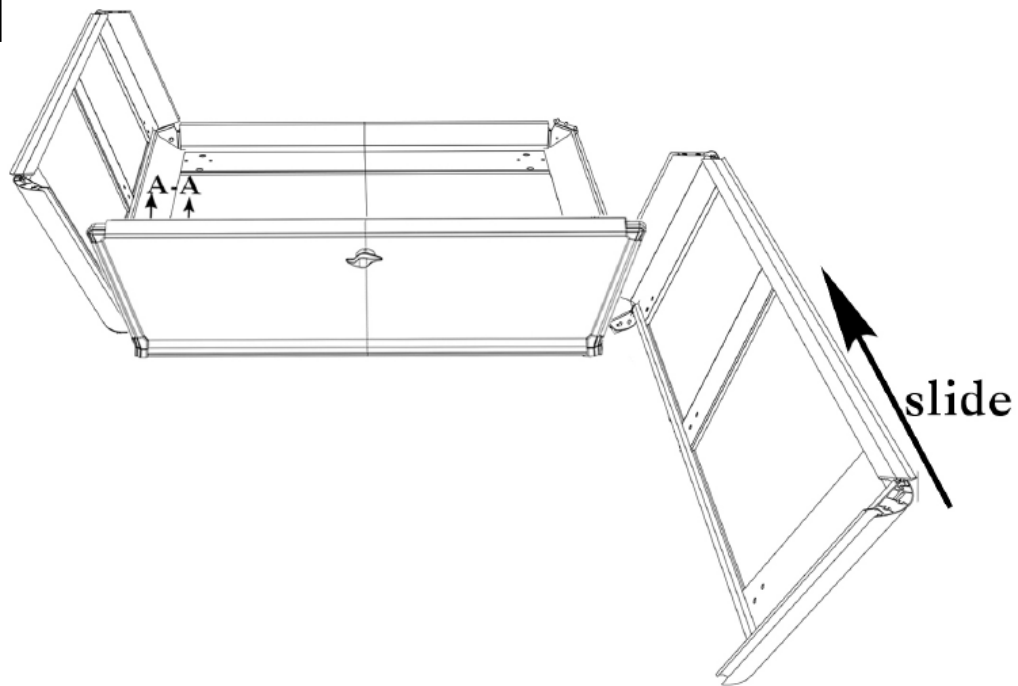


5. While lifting the rear door up, slide the left panel into the railing system. Section view A-A shows how the left panel slides into the roof panel. (**Fig. 4**)



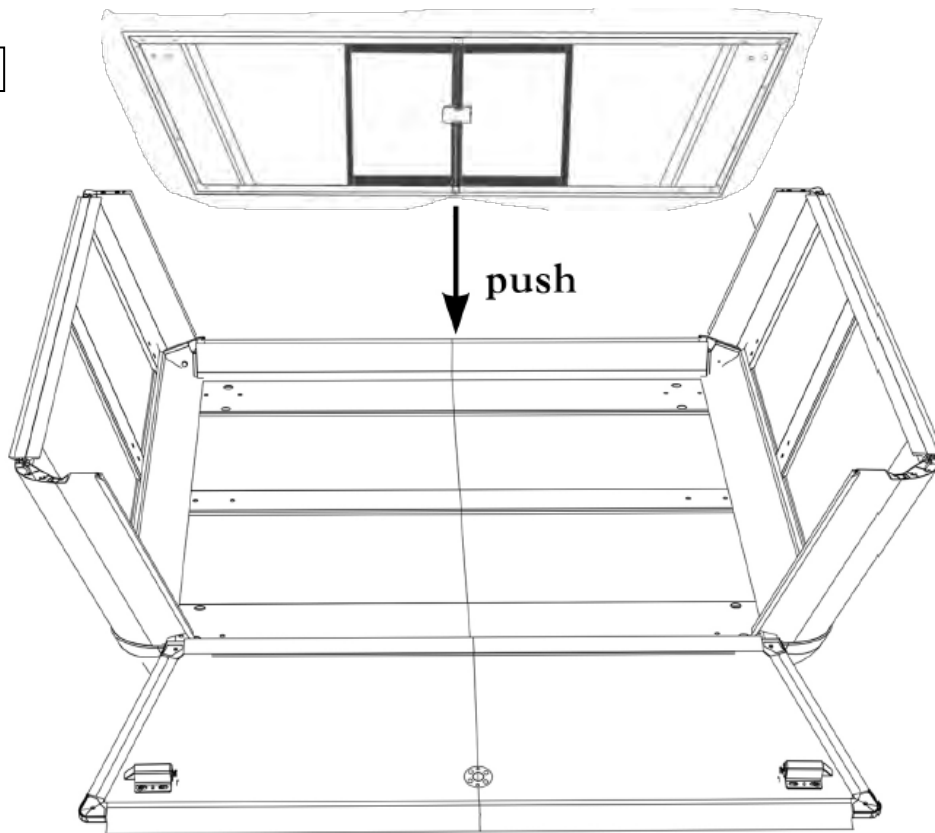
6. Repeat step 5 for the right panel. (Fig. 5)

FIGURE 5



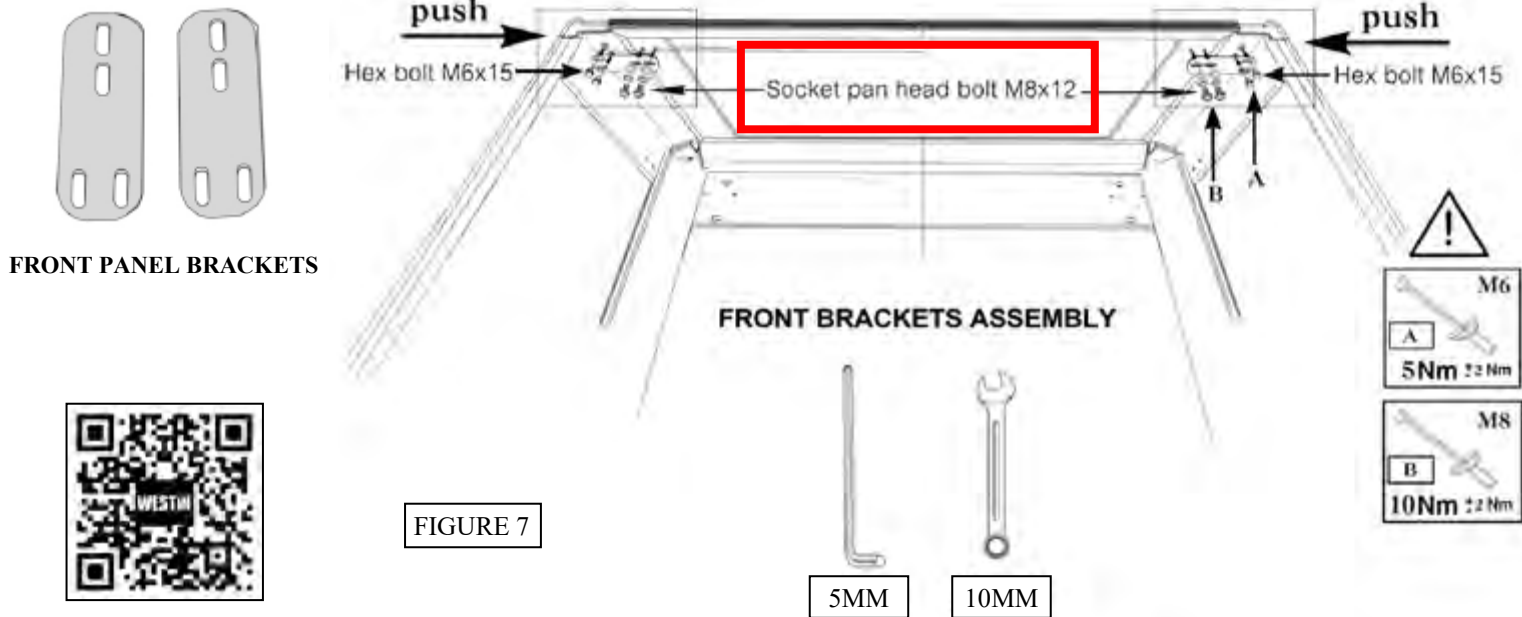
7. Next, push the front panel into the roof panel. (Fig. 6)

FIGURE 6

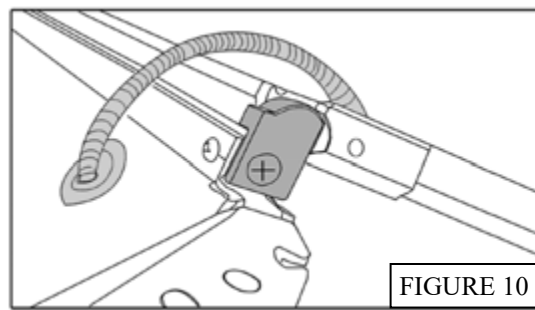
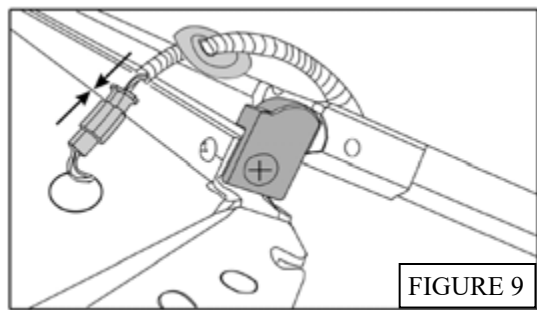
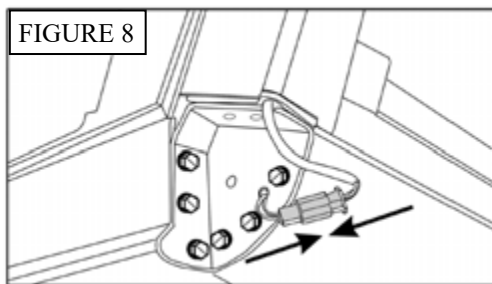


8. Push the left panel inwards towards the front panel. Using a front panel bracket, two (2) M8 x 12 socket pan head bolts, two (2) M8 split washers, two (2) M8 flat washers, two (2) M6 x 15 hex bolts, two (2) M6 split washers, and two (2) M6 flat washers provided in **Parts Kit #1 (Item 6)**, fasten the left panel to the front panel. Use a 5mm Allen Key and 10mm socket to initially tighten the bolts, then use a torque wrench to torque the M8 bolts to **10Nm (8ft-lbs)** and the M6 bolts to **5Nm (4 ft-lbs)**. Repeat this process to fasten the right panel to the front panel. (Fig. 7)

CAUTION: MAKE SURE TO USE THE M8 X 12 SOCKET PAN HEAD BOLTS FOR THE MOUNTING HOLES ON THE FRONT GLASS, THEY REQUIRE A 5MM ALLEN KEY TO FASTEN. DO NOT USE THE M8 X 20 HEX BOLTS AS THIS MAY DAMAGE THE FRONT GLASS PANEL.

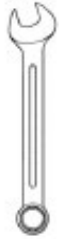
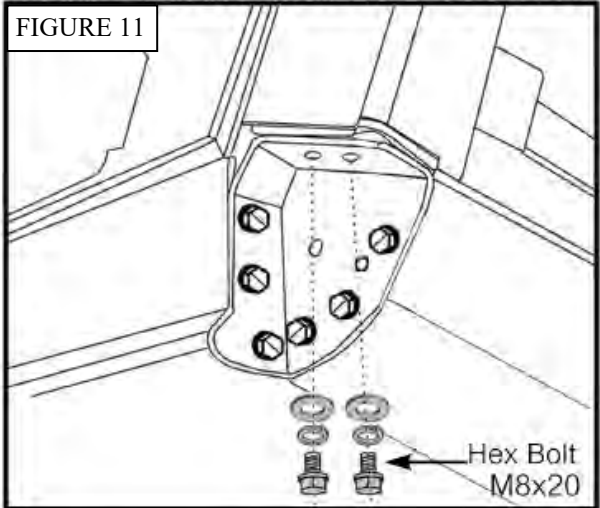


9. Connect the front wire found at the corner of the roof panel and front panel (Fig. 8). Then connect the rear wire (Fig. 9) and tuck the connectors into the roof panel. (Fig. 10)

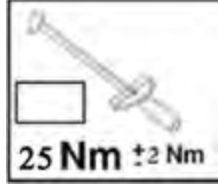


10. Next, use two (2) M8 x 20 Grade 8.8 hex bolts, two (2) M8 split washers, and two (2) M8 flat washers to fasten the front panel to the roof panel at one corner. Use a 13mm socket to initially tighten the bolts, then torque the bolts to **25Nm (19ft-lbs)**. Repeat this process for the other corner where the roof panel and front panel meet. (Fig. 11)

FIGURE 11



13MM



11. Repeat Step 10 for both corners where the roof panel and rear door meet. Use the same kind of hardware as in the previous step (Fig. 12). Connect the roof panel wire to the rear door connector as shown below. (Fig. 13)

FIGURE 12

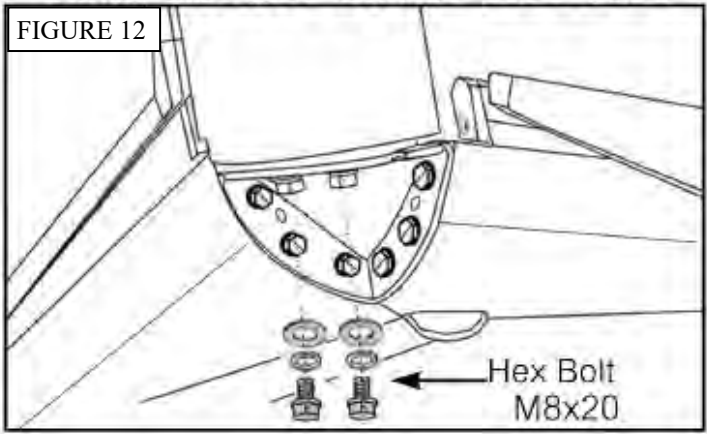
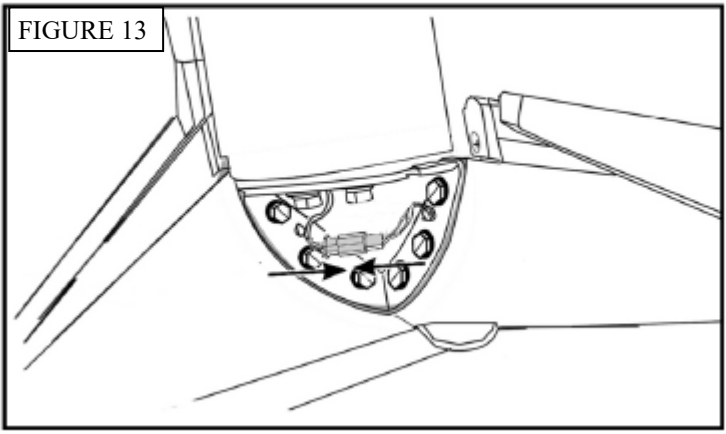
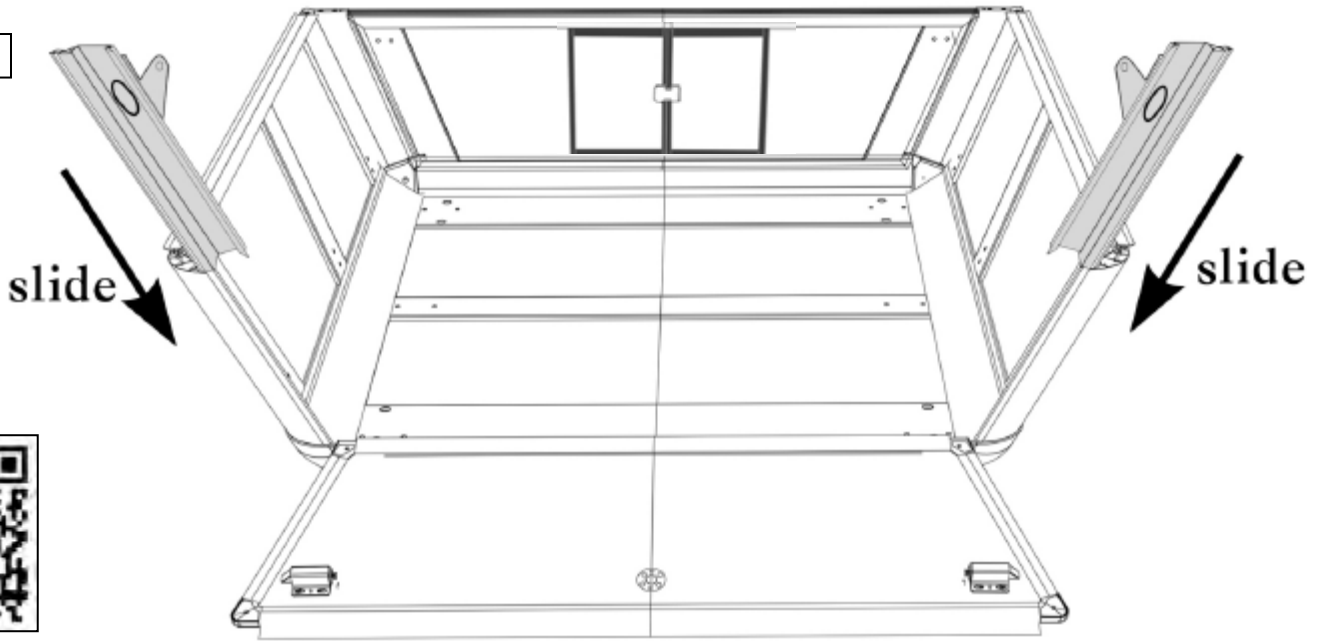


FIGURE 13



12. Slide the water channels downwards on the left and rear panels toward the rear door (Fig. 14). The water channels are found in **Parts Kit #3 (Item 8)**.

FIGURE 14



13. An inside corner of the rear door and side panel is shown below. Using the contents of **Parts Kit #3 (Item 8)** and a 12mm socket, fasten two (2) M8 x 20 hex bolts through the water channel bracket and into the side panel, torque to **10Nm (8ft-lbs)**. (Fig. 15) Next, use two (2) #6 x 3/8 pan head tapping screws and fasten the water channels to the side panels. (Fig. 16) Repeat this step for the other side of the truck cap.

FIGURE 15

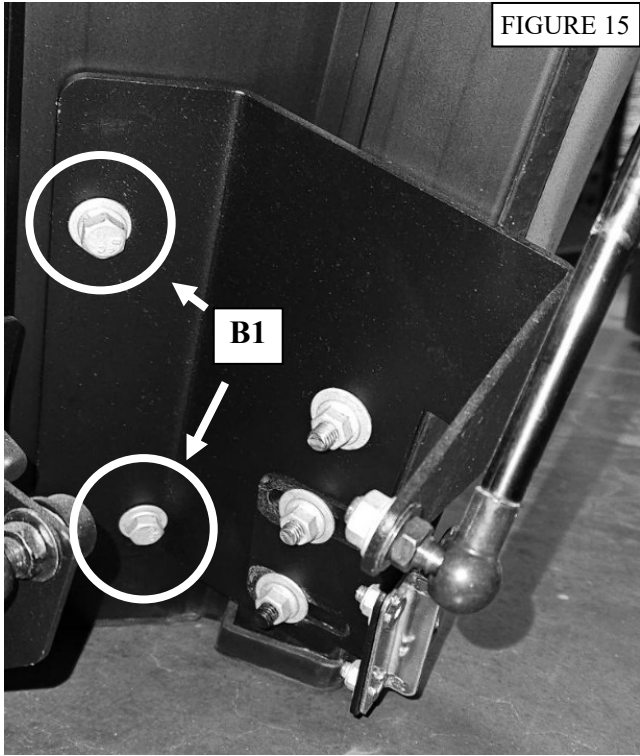


FIGURE 16



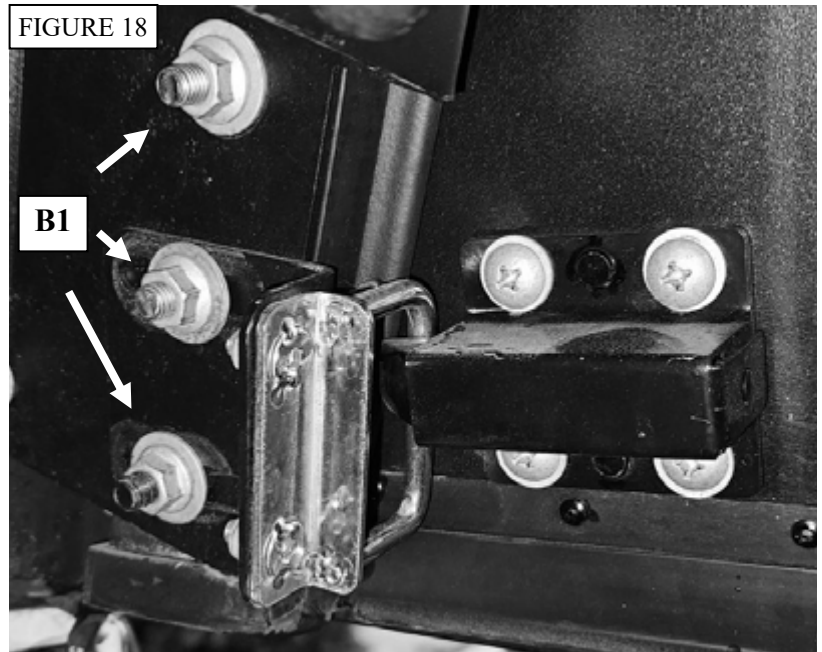
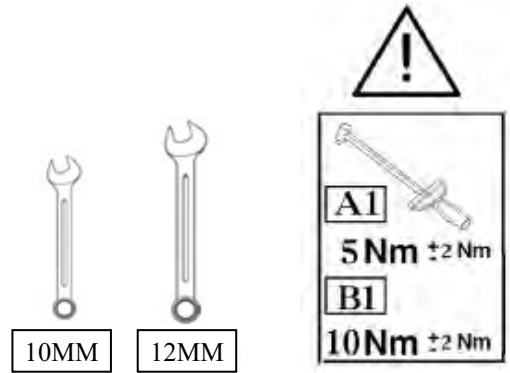
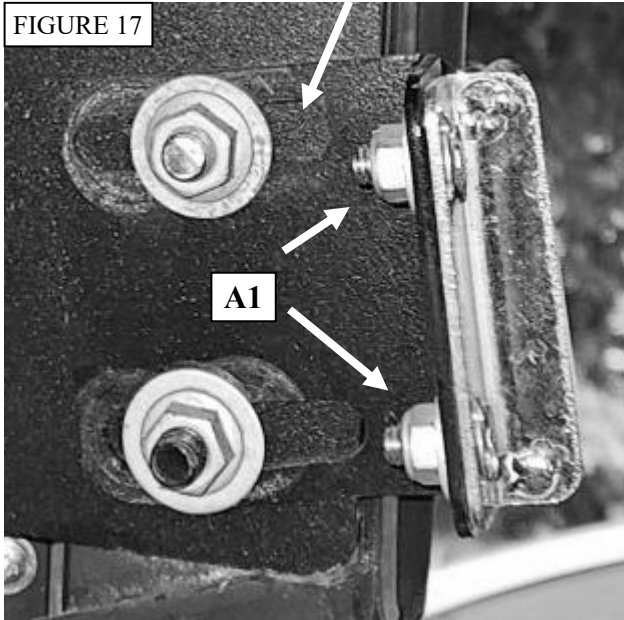
A1
5 Nm ±2 Nm

B1
10Nm ±2 Nm



14. Torque the nuts on the door latch to **5Nm (4ft-lbs)** using a 10mm socket. There are slots on the door latch bracket that allow for the latch to be adjusted so the rear door can close correctly. (**Fig 17**) Once the rear door is shut and the door latch is adjusted properly, torque the bolts in **Fig. 18** to **10Nm (8ft-lbs)**.

SLOTS FOR ADJUSTABILITY



15. Next, clean the surface of the perimeter of the corner where the roof panel and left panel meet. Locate the silicone corner covers in **Parts Kit #1 (Item 6)** and remove the tape over the adhesive on the covers. While tucking the wires inwards into the roof panel, firmly press the cover over the corner (**Fig. 19**). Fasten the corner cover to the truck cap assembly using one (1) M6 x 10 pan head bolt and one (1) M6 flat washer also found in the same parts kit. The hardware fastens from the inside of the truck cap assembly. Repeat this step for installing the corner cover on the other side where the right panel meets the roof panel. (**Fig. 20**)

FIGURE 19

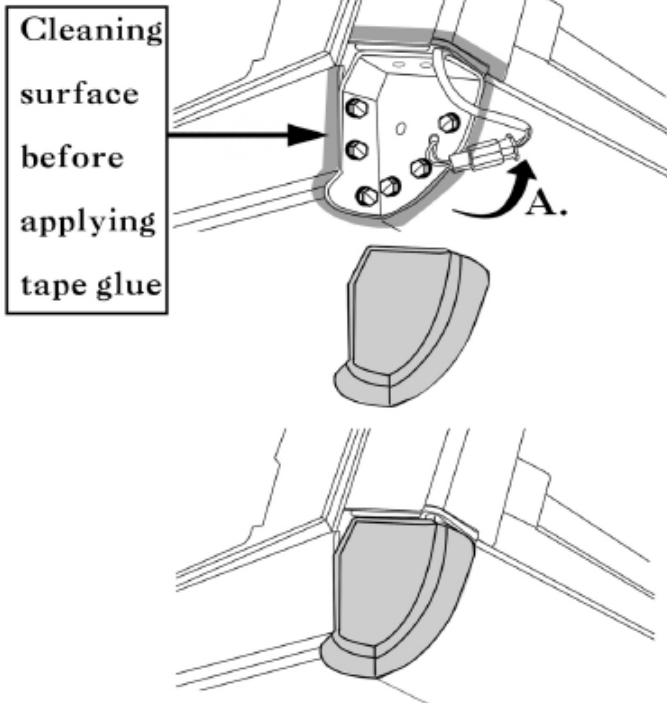
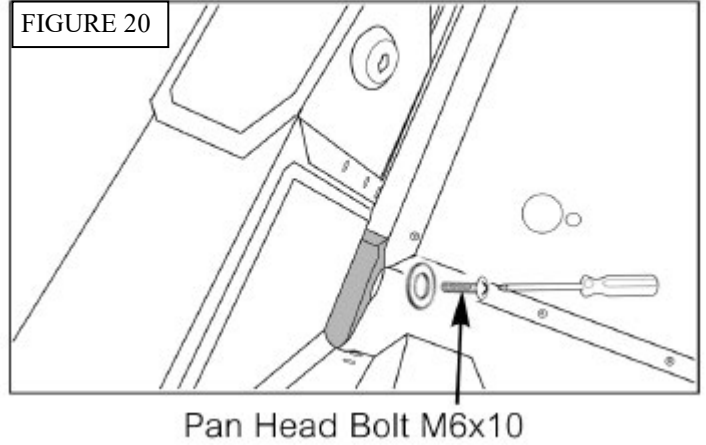
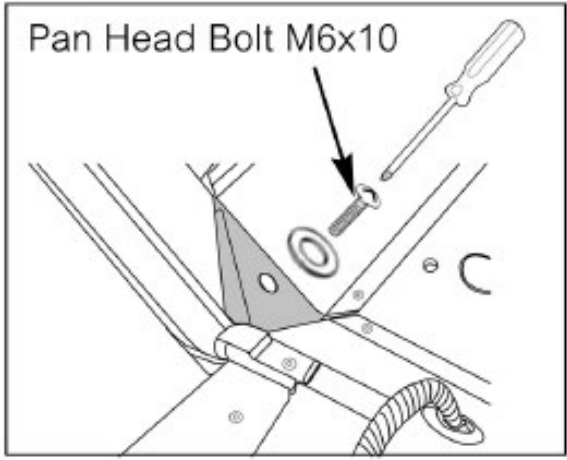
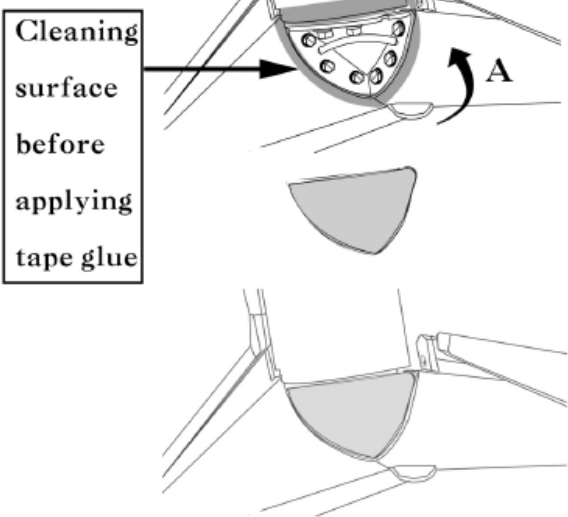


FIGURE 20



16. Repeat the process in Step 14 to install the corner covers on the rear corners of the truck cap assembly. (**Fig. 21**)

FIGURE 21



17. Remove the adhesive on the included rubber strip (**Item 9**) and install it onto the front edge of the bed. (**Fig. 22**) Open the left, right, and rear panels before placing the truck cap onto the truck bed. A minimum of four people are recommended for the truck cap installation. Make sure to avoid dragging the truck cap across the truck bed rails. Handle with caution to avoid injury to hands and damage to the truck cap assembly and vehicle. (**Fig. 23**)

FIGURE 22

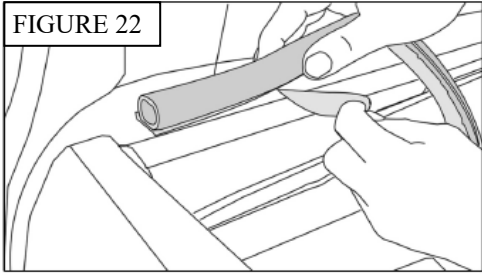
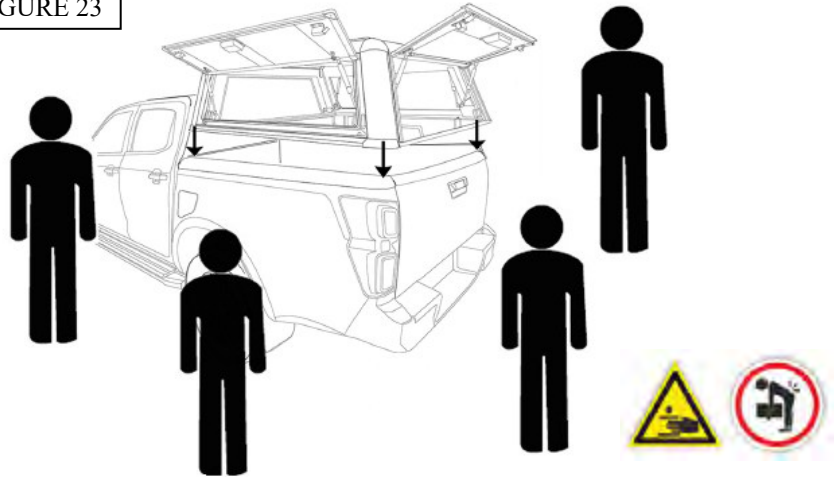


FIGURE 23



18. Locate the contents found in **Parts Kit #2 (Item 7)** and correctly place each labeled clamp on both bed rails (**Fig. 24**). Use a 13mm socket to initially tighten the clamps, then torque to **8Nm (6ft-lbs)**. The tightened clamp should resemble (**Fig. 25**).

FIGURE 24

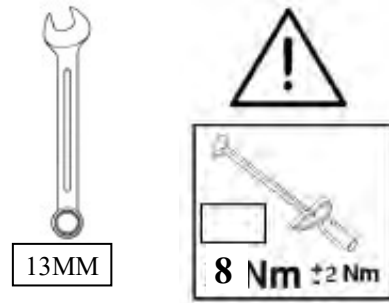
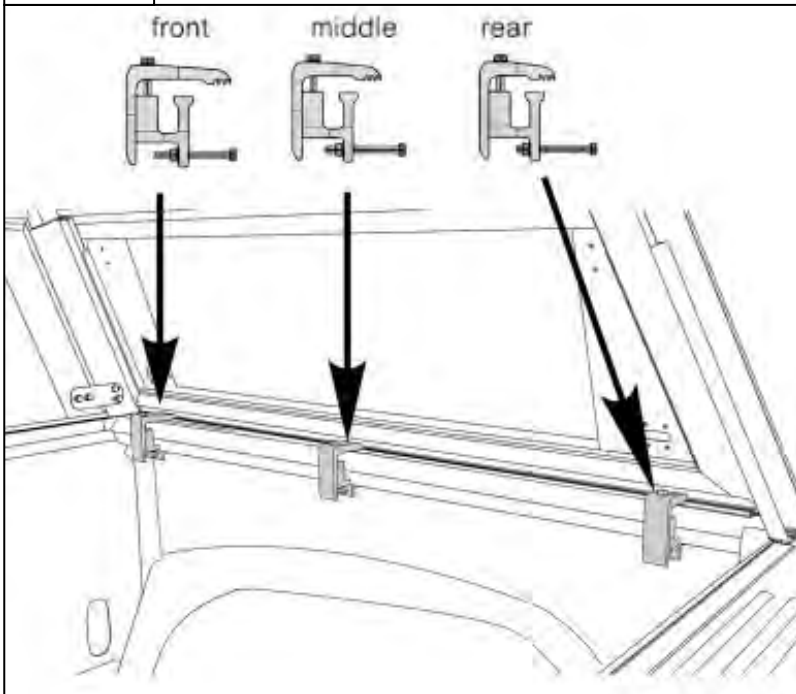
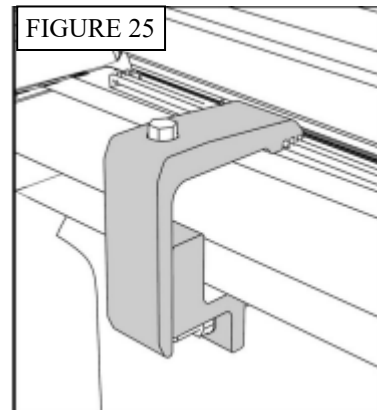


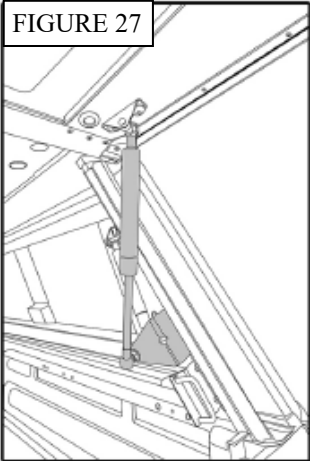
FIGURE 25



19. Once the bed truck cap is placed on the vehicle, adjustment may be required to allow for the truck cap to sit well onto the bed rails. If adjustment is needed, loosen the front bracket and push the side panels inward towards each other and make sure the gap (circled in Fig. 26) is closed. Tighten the front bracket as mentioned in Step 8.



20. Use the nuts already installed on the end of the gas studs to secure the studs to the rear door using a 12mm socket. (Fig. 27)



Truck Cap Interior Cross Brace Kit (Optional)

21. Place an interior brace support leg at the location below the handle cover on the side door. Use the long bolt that comes with the interior brace clamp to attach the top half of the clamp to the leg (Fig. 28 - 32).

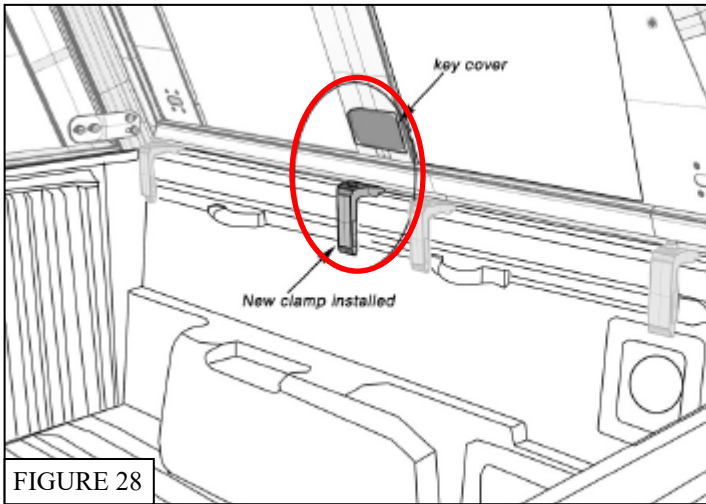


FIGURE 28

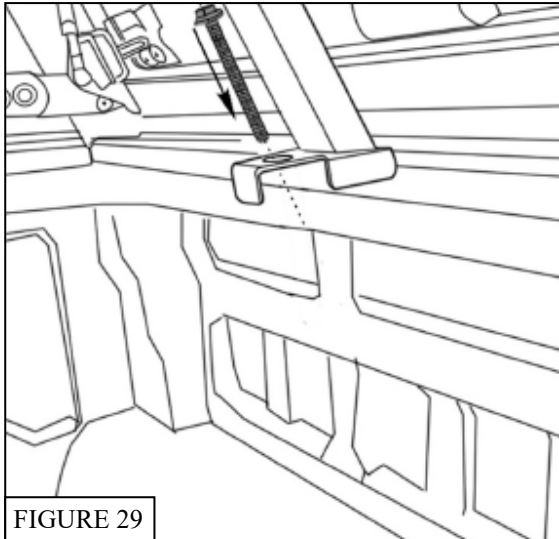
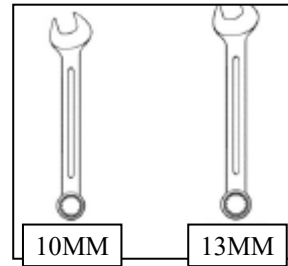


FIGURE 29

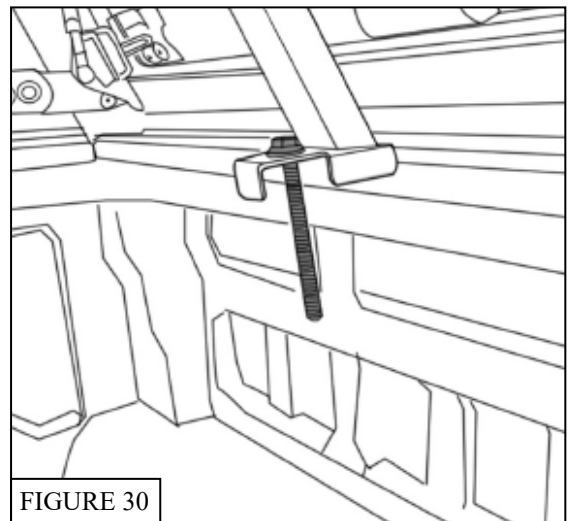


FIGURE 30

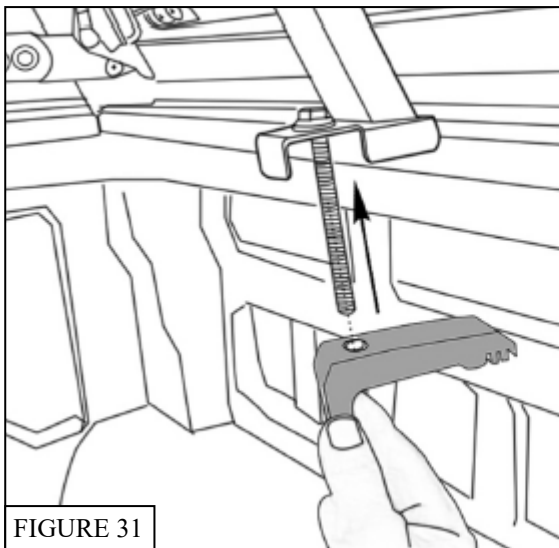


FIGURE 31

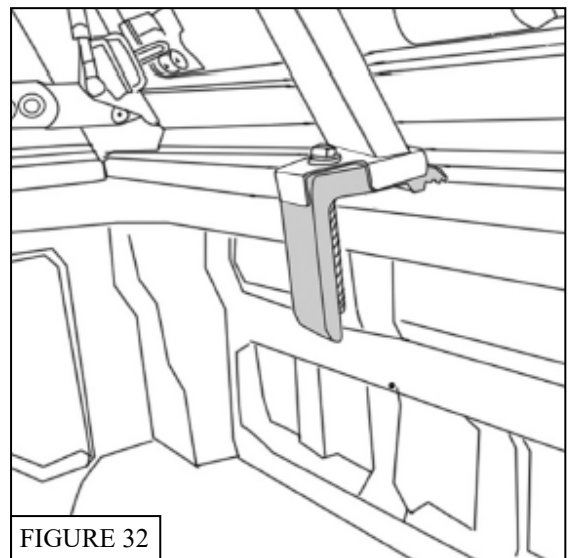
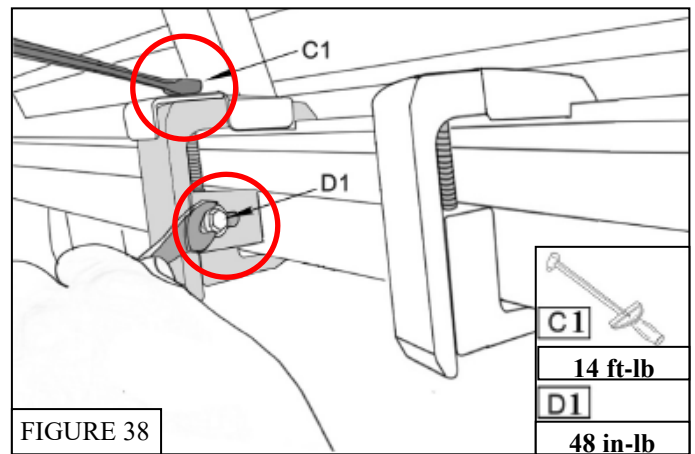
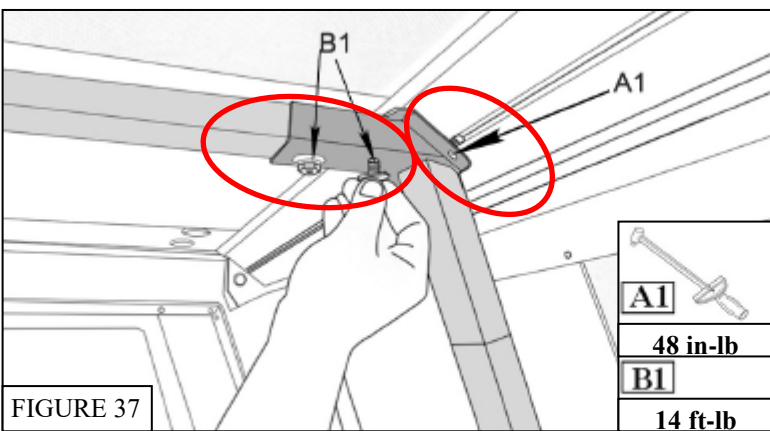
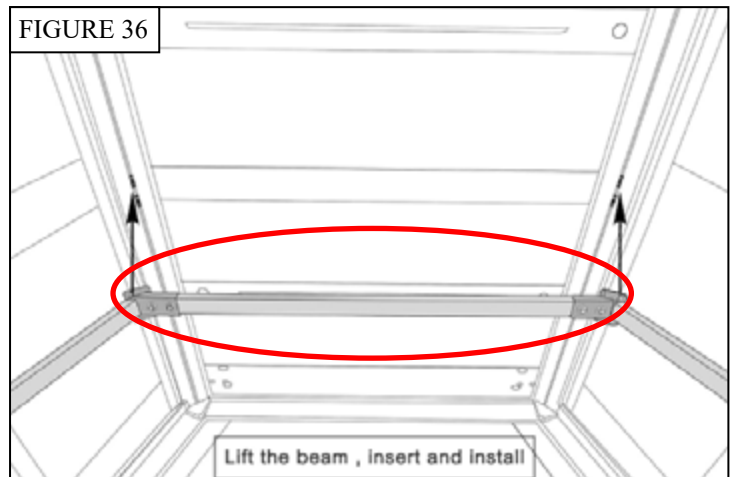
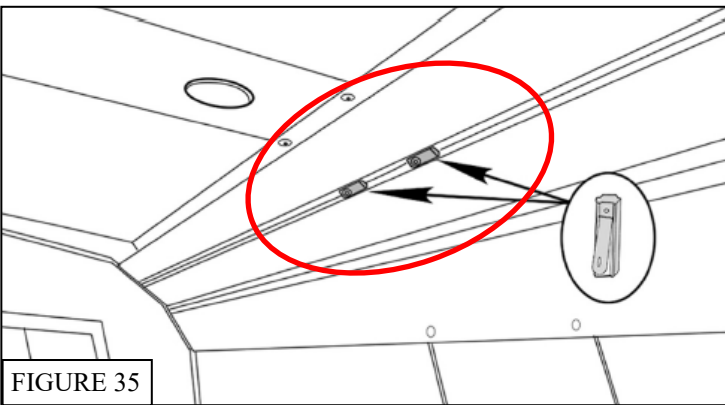
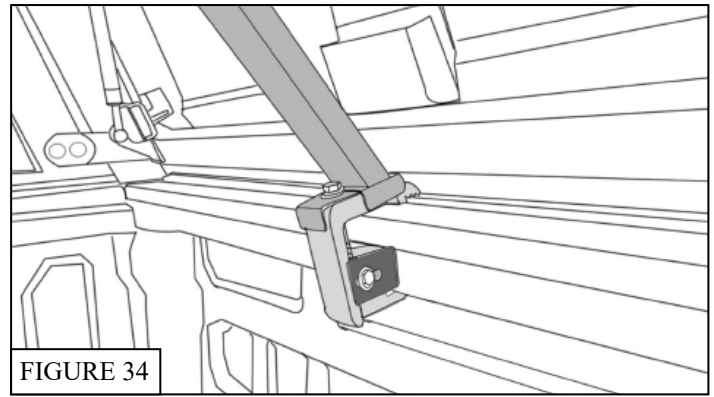
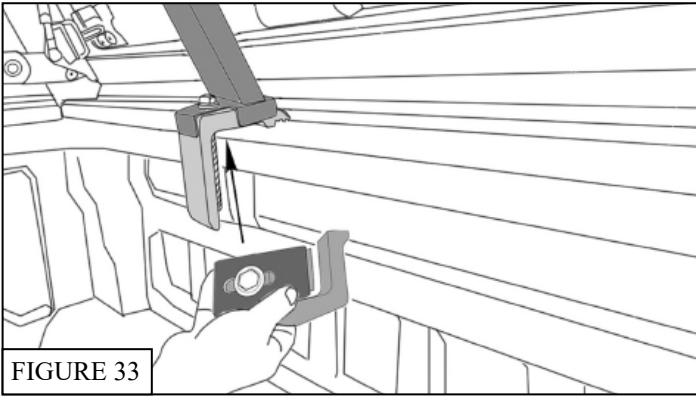


FIGURE 32

22. Attach the bottom half of the interior brace clamp to the leg and top half (Fig. 33 - 34). Leave the clamp loose for now.
23. Place two spring T-nuts into the rail where the side door meets the roof panel (Fig. 35). Repeat steps 21-23 for the opposite side of the truck cap.
24. Place the interior cross member onto the legs and fasten them together using the provided M8 hardware. Fasten the legs to the spring T-nuts using the supplied M6 hardware (Fig. 36 - 37). Follow the torque spec shown below.
25. Tighten the interior brace clamp according to the torque specification below (Fig. 38).



Truck Cap Brake Light Wiring Instructions

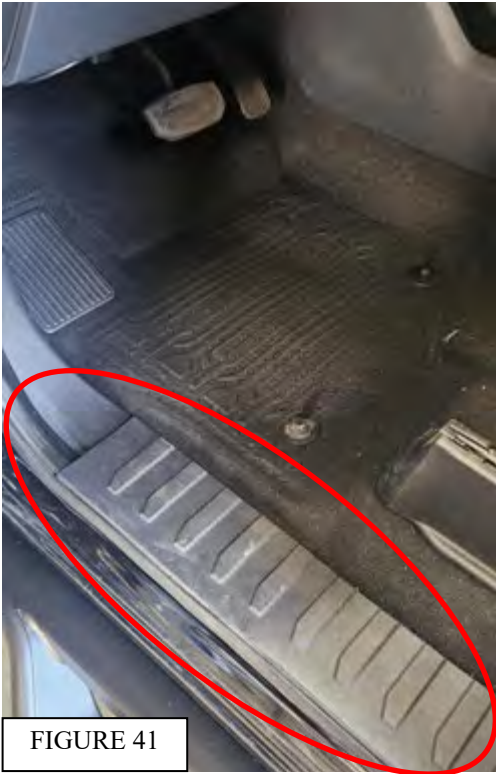
26. Remove the passenger tail light by unscrewing the two screws seen below using a 8mm socket. (**Fig. 39**)
27. Slowly pull the light towards the rear of the vehicle in order to release it from the clips.
28. Route the wires coming from the rear passenger side of the truck cap into the side of the bed into the tail light. A small hole can be drilled through the rubber grommet of the bed side if desired.
29. To find the specific vehicle wires to tap into, locate the yellow/purple and black/white wires coming from the light's lowest socket. Splice the truck cap's yellow wire into the socket's yellow/purple wire and splice the truck cap's red wire into the socket's black/white wire. (**Fig. 40**)
30. Reconnect the vehicle's battery and test that the truck cap's brake light turns on with the vehicle's brake lights.
31. Finally, put the tail light back in.

Note: Due to certain tail light wiring configuration, the truck cap's brake light may blink with the right turn signal.



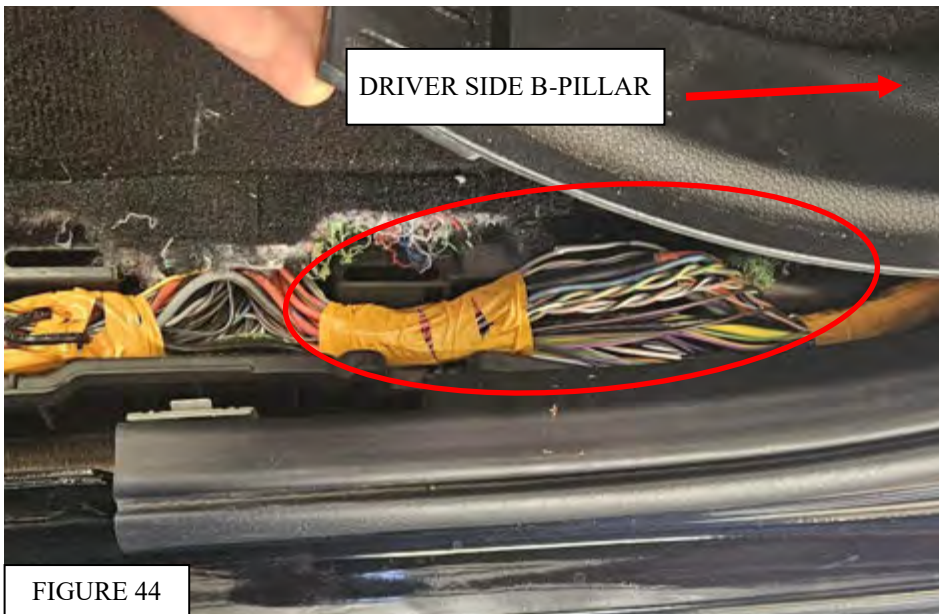
EXP Truck Cap Lock/Unlock Wiring Instructions (NON-POWER LOCK TAILGATE)

32. Remove the plastic door sill panel and door trim from the driver side. Lift the carpet and locate the circular plastic cover. (Fig 41-42)
33. Route the truck cap's wiring harness from the front left of the truck cap, underneath the vehicle, and towards the driver side floor board. Locate the plastic cover underneath the vehicle's body, and drill a 3/16" hole while lifting the carpet. Make sure not to drill through the carpet. (Fig 43)
34. Remove the splice connectors and feed the harness from under the vehicle, through the hole drilled in the plastic cover, and into the driver side floor area. Make sure the harness is safely secured to the vehicle's frame and does not make contact with any exhaust or moving components.
35. Use silicon sealant to seal the hole to make the floorboard waterproof.



Truck Cap Lock/Unlock Wiring Instructions
(NON-POWER LOCK TAILGATE)

36. Open the black plastic housing at the door sill, and locate the two strands of wiring harness within it. (**Fig 44**)
37. The two strands of wiring harness come together at a single point. You will need to tap into the strand of wires that is closer to the truck's B-Pillar.
38. Use the provided splice connectors to splice the red truck cap wire to the gray wire with a brown stripe. Next, splice the black truck cap wire to white wire with a black strip. (**Fig 45**).
39. Test that the truck cap locks and unlocks with the vehicle's key fob and doors.
40. Use electrical tape or similar harness tape to wrap the large strand vehicle wiring harness with the truck cap's wires.
41. Reinstall the drive side door sill panel.

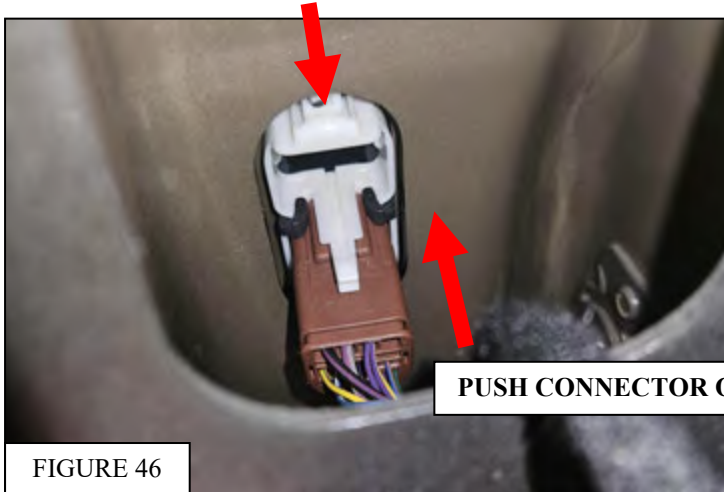


Truck Cap Lock/Unlock Wiring Instructions

(IF WIRES DO NOT MATCH STEP 41)

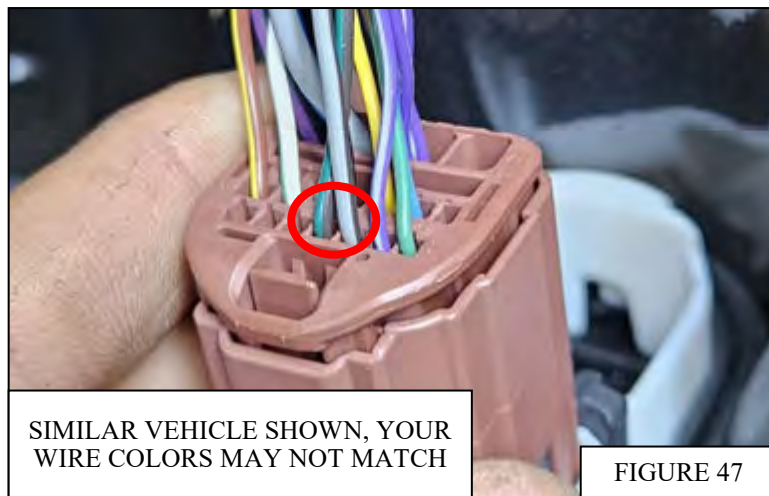
42. Remove the driver side B-pillar cover and locate the white retainer and male side of the brown connector mounted inside the B-pillar. **(Fig 46)** The connector is located near the hinge of the driver side rear door.
43. With a long flat head screwdriver, push down on the white retainer tab and push the brown connector outwards so it comes out of the B-pillar.
44. Take note of the two wires coming from the #3 and #4 pin locations in the bottom row of the brown connector. **(Fig 47-48)**
45. Follow the two wires to the locations shown in the previous images **(Fig 44-45)**. Use the red truck cap wire to tap into one of the wires, and use the black truck cap wire to tap into the other.
46. If the truck cap and tailgate locking is not synced, switch the wiring order.

PUSH TAB DOWN



PUSH CONNECTOR OUT

FIGURE 46

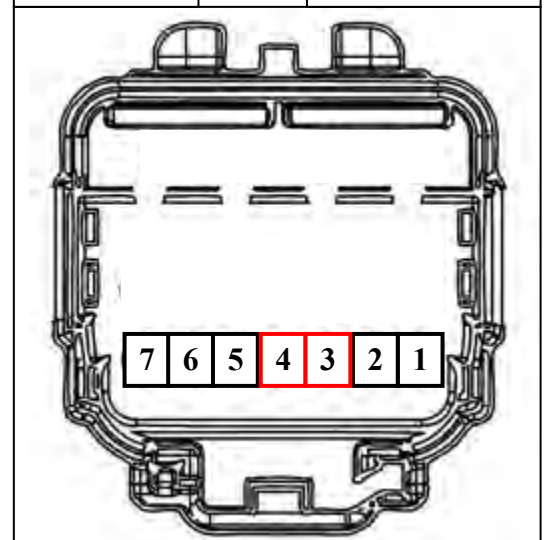


SIMILAR VEHICLE SHOWN, YOUR WIRE COLORS MAY NOT MATCH

FIGURE 47

FIGURE 48

MALE CONNECTOR SHOWN

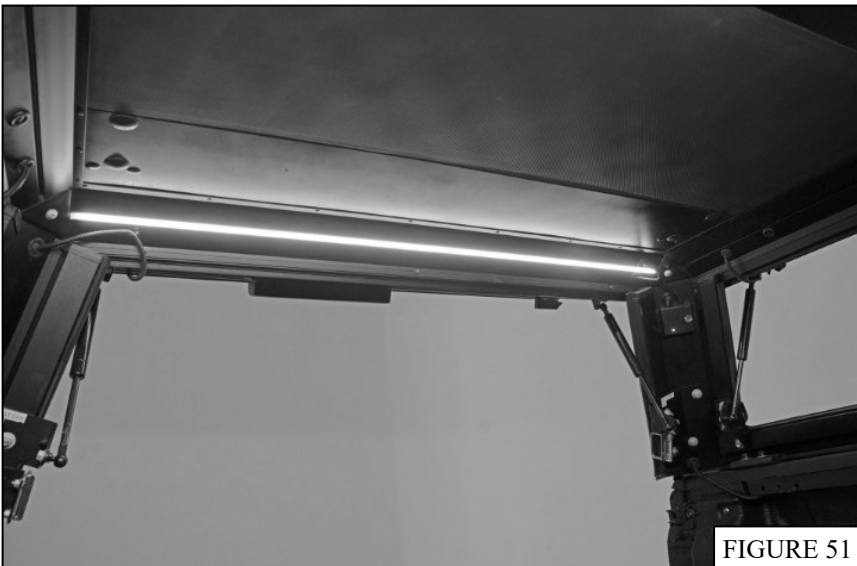
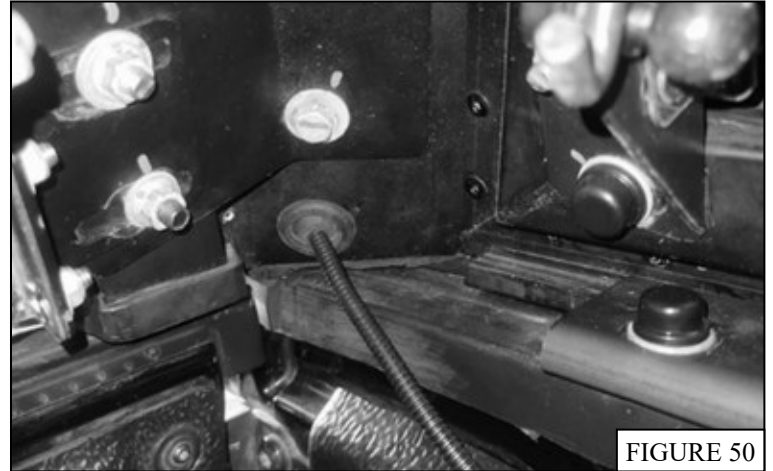
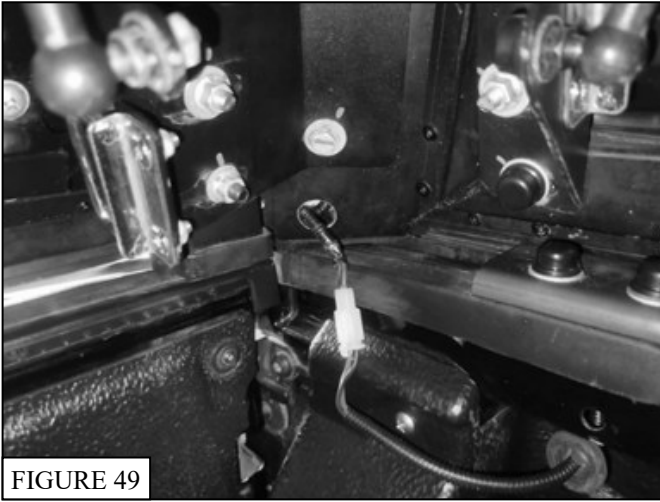


- | | |
|----------|---|
| 3 | ECU - DOOR LOCK # ALL LOCK |
| 4 | ECU - DOOR LOCK # REAR DRIVER SIDE OR LEFT REAR UNLOCK (INCL.SLIDING DOOR) |

LED INTERIOR LIGHT

47. Plug the provided Interior Light Harness (**Item 11**) at the connector coming from the rear driver side of the truck cap (**Fig 46**). Tuck the harness into the truck cap using the rubber grommet (**Fig 50**). The other end of the harness will need to go to the vehicle's battery. Route the harness underneath the vehicle, make sure to avoid any moving parts.

The installation of your Westin Automotive Truck Cap is complete!





WARNING



Failure to follow these instructions could lead to death, personal injury, and / or property damage.

FASTENERS:

All Westin supplied fasteners must be utilized and installed in accordance with the installation instructions and apply torque to the specifications as defined. **DOUBLE CHECK ALL FASTENERS BEFORE INITIAL USE, AND PERIODICALLY IN THE FUTURE TO ENSURE PROPER FUNCTION AND SAFETY.**

DRILLING:

Most Westin products do not require drilling for installation. If drilling is defined as required, use caution when drilling a vehicle. **FAILURE TO REVIEW AN AREA TO BE DRILLED MAY RESULT IN PERSONAL INJURY AND/OR INJURY TO OTHERS AS WELL AS VEHICLE DAMAGE.**

EYE PROTECTION:

ALWAYS WEAR SAFETY GLASSES OR GOGGLES DURING THE INSTALLATION PROCESS TO AVOID PERSONAL INJURY.

MAXIMUM TOWING/CARRYING CAPACITY: (if applicable)

The Westin Receiver Hitches will have a visible tow rating label affixed directly on the product. User should never exceed the vehicle manufacturers maximum tow and weight rating regardless of the capacity of the hitch. **FAILURE TO FOLLOW THESE GUIDELINES WILL VOID THE WESTIN WARRANTY AND MAY RESULT IN PERSONAL INJURY AND/OR INJURY TO OTHERS AS WELL AS VEHICLE DAMAGE.**

FOR CALIFORNIA RESIDENTS ONLY-PROP 65 WARNING:

Some products may contain chemicals such as DEHP, which can cause cancer, birth defects or other reproductive harm. For more info go to www.p65warnings.ca.gov



Westin Automotive Products, Inc.
320 W. Covina Blvd
San Dimas, Ca. 91773

Thank you for choosing Westin products
for additional installation assistance please call
Customer Service (800) 793-7846
www.westinautomotive.com